

FIRE DETECTION SYSTEMS

Your safety. Our technology.

 **HOCHIKI**

HOCHIKI GLOBAL NETWORK AND PROJECTS

HOCHIKI AUSTRALIA
SALES TERRITORIES
ALL OCEANIA INCLUDING NZ,
PAPUA, FIJI



Millburn Middle School,
NJ USA

HOCHIKI AMERICA

HOCHIKI MEXICO



Eurostar Station
St Pancras, London UK



Open Academy,
Norwich UK

HOCHIKI EUROPE
KENTEC



Qatar Financial Center
Tower, Qatar Middle East

HOCHIKI MIDDLE EAST



NTU Sports Center,
Taiwan

HOCHIKI TAIWAN

HOCHIKI CORPORATION



Brisbane International
Airport, Australia



Melbourne International
Airport, Australia

HOCHIKI AUSTRALIA



Windser Barra Hotel,
Rie de Janeiro Brazil



Vicom Center,
Ho Chi Minh Vietnam

HOCHIKI ASIA PACIFIC



NTT Singapore,
Singapore

HOCHIKI JAKARTA

HOCHIKI BANGKOK

CONTENTS

03 HOCHIKI CORPORATE
OVERVIEW

04 HOCHIKI SYSTEM

06 TAKTIS FIRE

08 TAKTIS VISION

10 TAKTIS VIRTUAL
RESOURCE

12 ANALOGUE SENSORS AND
DEVICES FOR TAKTIS AND
SYNCRO AS PANELS

17 FIRE WAVE WIRELESS
FIRE DETECTION

21 ANALOGUE SENSORS FOR
FIRENET, NFP, PHOENIX PANELS

22 NEW CONVENTIONAL AND DEVICES
FOR SIGMA CP PANELS

26 CONVENTIONAL
DETECTORS

28 CONVENTIONAL DETECTORS
PANEL COMPATIBILITY CHART

29 MARINE FIRE
DETECTION

32 INTRINSICALLY SAFE
FIRE DETECTION

34 ANCILLARY
EQUIPMENT

COMPANY OVERVIEW

Established early in the 20th Century, Hochiki is one of the world's leading manufacturers of commercial and industrial fire detection and emergency lighting solutions. With a heritage of innovative design and leading-edge technologies, Hochiki's products have acquired global acceptance as the benchmark for high-integrity and long-term reliability.

INTERNATIONAL COVERAGE REGIONAL COMMITMENT

Hochiki is an independent, multi-national, publicly listed company with over 1500 employees across five manufacturing plants, thirty-one sales offices and eleven subsidiaries. The company's global sales turnover exceeds \$750 million per annum.

Hochiki invests in manufacturing innovation on a continual basis to ensure customer satisfaction and production facilities in Japan, the United States

of America and Europe ensure international continuity of quality, service and supply. These regional centres design and manufacture products and provide technical support suited to local standards and customer requirements.

Total commitment to meeting the needs of individual national markets has reinforced the company's global reputation, resulting in Hochiki products being installed in many prestigious sites in over 80 countries worldwide.

Hochiki's vision is to provide products to the highest levels of quality and reliability. Complying with industry standards, the ultimate quality of Hochiki's comprehensive range of products virtually eliminates false alarms and, combined with ease of installation, offers the greatest reliability with the lowest total cost of ownership possible in a modern life safety system.

HOCHIKI SYSTEM

HIGH INTEGRITY CONFIGURABLE NETWORK

Control Panel is manufactured by Hochiki Group Company, Kentec Electronics Ltd. and distributed by Incite fire Pty Ltd.

Each loop is capable of hosting up to: 127 devices, plus 127 Sounder Bases

Each loop is capable of hosting up to: 127 devices, plus 127 Sounder Bases



TAKTIS VIRTUAL RESOURCE

- VR ACCESS - Access data from all your systems
- VR VAULT - Secure document vault
- VR SERVICE - Complete service management utility with automated data transfer
- VR PRINT - Eliminates need for panel mounted printers

TAKTIS VISION
Configurable Fire Alarm Repeater
24 Vdc



Media Gateway

HOCHIKI
ANALOGUE SENSORS AND DEVICES

FIREwave

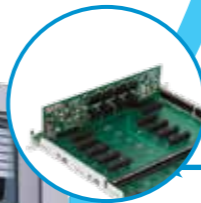
Up to 128 Panels/Repeaters can be added to the network



GSM IP Dial-Up



TAKTIS FIRE
2 - 8 Loop Analogue
Addressable Control Panel



10 Cards

Plug in slots



K772 16 Channel I/O Board	K791 8 Way Relay Board	K792 8 Way Conventional Zone Board	K793 4 Way Sounder Board
-------------------------------------	----------------------------------	--	------------------------------------

RS485 bus



TAKTIS VISION
Configurable Fire Alarm Repeater
24 Vdc

TAKTIS FIRE
2 - 16 Loop Analogue
Addressable Control Panel

TAKTIS FIRE

ANALOGUE ADDRESSABLE 2-16 LOOP CONTROL PANELS



COMPATIBLE EQUIPMENT & EXTRAS



SELECTION OF I/O BOARDS



TAKTIS NETWORK CARD



VR TAKTIS MEDIA GATEWAY

TAKTIS OVERVIEW

With the increasing demands for power in fire detection and alarm systems, Taktis Fire Control Panels are well placed to meet current and future needs.

All panels are available with either a 5.25A, 24V power supply capable of charging up to 26Ah batteries or a 10.25A, 24V power supply capable of charging up to 45Ah batteries. Taktis Fire can be supplied with a remote power supply units, making the Control Panel smaller and easier to install.

Up to 500 mA are available for each detection loop allowing for a generous quantity of loop powered devices.

The four sounder circuits are each capable of supplying up to 2.5A at 24V to audio and audio visual devices.

Manage systems remotely from any location is a simple and effective manner by configuring a Taktis Media Gateway communication device to the Virtual Resource Servers and browser based software.

Taktis Media Gateway also provides the interface between control systems, other products and utilities such as PC graphics, Voyage Data Recorder and a growing number of third party Taktis compatible products.

Configurable serial ports will allow connection to BMS systems using LonWorks, Modbus or BACnet protocols.

Taktis Fire systems are scalable with Taktis Net Enhanced High Speed Networking. This allows up to 128 panels to be connected together as a fully fault tolerant networked system with rapid inter panel communications and up to 1.2km of standard two core fire resistant cabling between nodes.

Each panel can be configured to display all or selected events from any other panel allowing master/slave, multiple master/slave or peer to peer configuration.

Sophisticated network analysis tools provide the ability to identify connection problems instantly and the commissioning mode allows individual panels to be prevented from transmitting events to the network while maintaining communications.

Adding a Taktis "Bridge" Network Card to your Taktis Panel or Taktis Network provides an interface between existing Syncro and Taktis Control Systems providing backward compatibility and a unique upgrade path.

TAKTIS FEATURES

- AS7240-2, AS7240-4 and AS4428-3
- Up to 144 zone LED indicators on standard models
- Support for up to 2000 zones
- Built in programmable I/Os
- Up to 512 programmable I/O via optional plug in cards
- Modbus, LonWorks and BACnet interface options
- Full colour, 7" 800 x 480 touch screen graphical display
- Fully automatic display brightness adjustment
- 80 character point and zone text
- Over 4000 sub address points per panel
- Over 5000 cause and effect outputs
- Over 20,000 cause and effect entries
- Up to 5000 software groups
- Maximum of 50,000 devices NOT and TIME as well as COINCIDENCE, OR and AND operators in cause and effects
- Option to "invert" inputs and outputs
- 9999 event log with one second resolution
- Powerful, standard configuration templates
- Network up to 128 panels
- Configurable via USB port to PC or memory stick
- Optional Media Gateway communications card

TAKTIS VISION

ANALOGUE ADDRESSABLE ANNUNCIATORS



COMPATIBLE EQUIPMENT & EXTRAS



TAKTIS NETWORK CARD



MULTI PURPOSE
FLUSHING COLLAR

TAKTIS VISION OVERVIEW

Taktis Vision provides a means of allowing full display and optional control of the Taktis Fire Alarm Control Panel from a small and unobtrusive local control station.

Based on an all new hardware and software platform, the large, full colour graphical display with touch screen functionality, delivers information on the status of the fire alarm system to single or multiple locations.

Taktis Vision repeaters can be configured to offer full display and control to replicate the functionality of the fire Control Panel or to operate as a simple, display only device for applications where access to control the fire alarm system would be inappropriate.

For other annunciation and control applications, Taktis Vision can be configured to provide customisable switches and indications for a host of fire system ancillary functions.

Taktis Vision may be connected to the fire Control Panels' fault tolerant, ancillary RS485 bus or to the fire alarm panel fault tolerant network using standard, fire rated cable offering flexibility in system wiring.

Available in several standard formats, Taktis Vision can be mounted directly onto a wall, be recessed using our quick-fix adaptor frame or fully flush mounted. Special enclosure finishes and colours are also available to match existing decor.

TAKTIS VISION FEATURES

- Robust, full colour, 7" 800 x 480 touch screen graphical display
- Full indication of all information displayed at the fire Control Panel
- Automatic display brightness adjustment
- Silenceable internal sounder
- Connections Via:
 - Control Panel RS485 bus
 - Option to connect to Control Panel network
- Low current, 24 Vdc powered
- Slim compact construction
- Configurable functionality
- Configurable languages
- Optional Enable key-switch

TAKTIS VIRTUAL RESOURCE

A COMPREHENSIVE SUITE OF SOFTWARE BASED TOOLS



TAKTIS VR OVERVIEW

To compliment the new, market leading range of control systems, Virtual Resource is a unique suite of software tools aimed to deliver a whole new dimension in Life Safety System Management.

It provides system designers, integrators and service companies with the ability to remotely access and comprehensively manage any system using intelligent analysis of data collected from those systems. End-users and facilities managers can also greatly benefit from the powerful feature set that comes with Virtual Resource.

Virtual Resource is based on technology successfully trialed for many years and is one of the most technically advanced management tools for fire detection and other safety systems on the market.

With Virtual Resource, installers and service providers are able to offer market leading functionality through remote management and provide improved service at a lower cost with greater efficiency.

The remote management features offered by Virtual Resource can result in reduced fault call outs, improved servicing regimes, more effective maintenance, reduction of unwanted alarms and improved overall service to the end user.

Whether you are a service provider, building owner or facilities manager, change the way you think about managing your Fire Detection System. With Taktis Virtual Resources you can reduce costs, add value and improve service integrity by implementing the latest communication and analytical technologies.

VR ACCESS

Gain access to data from all of your systems, assess performance, check status' and make decisions based on facts, not assumptions.

VR Access allows a Virtual Resource enabled fire system to periodically report its status to the secure servers. VR Access subscribers can view the latest status report via any web enabled device.

VR VAULT

Subscribers to Virtual Resource can securely store system and site related documentation on our permanently backed up servers using VR Vault.

VR Vault provides a convenient and permanently accessible storage location for all documentation related to an installation. This includes; installation drawings, commissioning details and certificates,

service and maintenance records, general notes and any other documents related to the installed system that the user requires.

VR SERVICE

VR Service provides a means to set up a comprehensive fire alarm system servicing regime, adding benefit to both the end customer and service company.

Site details can be imported from VR Access or added and set up manually to create customer records.

Service frequency and device activation list schedules can be set. Allocate resources such as travelling time and estimated timings to complete the service, and include essential data for planning engineer activities. Service engineers can view and print their work schedules along with site specific notes and previous service records directly from the system if required.

VR PRINT

VR Print is designed to replace panel mounted printers which are inherently difficult to manage and provide very limited information. VR Print provides a secure method of storing and recalling the control system events via any web browser. The user can simply view the systems events on line, print PDF reports or download the data in formats, such as csv, for further data analysis.

TAKTIS VR FEATURES

- Unique Life Safety management utility
- Remote access to system data from anywhere
- Revenue driver for all business sizes
- Cut costs and drive up productivity
- Reduce environmental impact through technology
- Modular application based tool set:
 - VR Access - View and manage my projects
 - VR Vault - Store and retrieve system documentation
 - VR Service - Manage, add value and improve compliance
 - VR Print - Virtual printer
- More to come...
More VR applications will be added to the list providing users with further enhancement to their value and revenue streams.

ANALOGUE SENSORS AND DEVICES FOR TAKTIS AND SYNCRO AS PANELS



Hochiki's comprehensive Analogue Addressable range is suitable for even the most demanding applications and incorporates high performance sensors, a wide selection of input and output modules and ancillaries. All products use Hochiki's high integrity communications link.

ALK-ASN



A **Photoelectric Smoke Sensor** incorporating Hochiki's unique High Performance Chamber, allows the sensor threshold level to be increased, improving the signal to noise ratio and reducing susceptibility to false alarms.



- High Performance Chamber
- Twin fire LEDs allow 360° viewing
- Locking mechanism (sensor to base)
- Variable sensitivity
- Electronically addressed
- Compatible Bases: YBN-R/3, YBO-BS, YBO-BSB, YBO-R/SCI
- Approval: AS7240.7

ACA-ASN



A **Multi-Sensor** incorporating a thermal element and a High Performance Photoelectric Smoke Chamber. Has three modes controlled from the Control Panel, allowing either the optical or thermal element or both to be active in making the fire decision.



- High Performance Chamber
- User selectable modes
- Incorporates optical and heat elements
- Twin fire LEDs allow 360° viewing
- Pulsing/non-pulsing controlled from panel
- Variable sensitivity
- Electronically addressed
- Compatible bases: YBN-R/3, YBO-BS, YBO-BSB, YBO-R/SCI
- Approvals: AS7240.5 and AS7240.7

ACB-ASN



A **Multi-Heat Sensor** incorporating a variable fixed temperature heat element and a rate of rise heat element, both controlled from the Control Panel allowing either or both elements simultaneously to be active in making the fire decision.



- User selectable modes
- Incorporates fixed temperature and rate of rise heat elements
- Twin fire LEDs allow 360° viewing
- Pulsing/non-pulsing controlled from panel
- Electronically addressed
- Compatible bases: YBN-R/3, YBO-BS, YBO-BSB, YBO-R/SCI
- AS7240.5 Classes A1, B and C

ACB-ASNW



An **IP67 Rated Waterproof Multi-Heat Sensor** which can be used externally and is supplied with its own fixing base. Flying leads from the sensor connect directly to the loop via waterproof connectors.



- User selectable modes
- Incorporates fixed temperature and rate of rise heat elements
- Twin fire LEDs allow 360° viewing
- Pulsing/non-pulsing controlled from panel
- Electronically addressed
- IP67 rated
- Supplied with fixing base
- AS7240.5 Classes A1, B and C

YBN-R/3



A **Common Mounting Base** which is fully compatible with ALK-ASN, ACA-ASN and ACB-ASN sensors. Supplied with square cable clamps for secure and reliable cable termination, it is also capable of driving a remote LED if required.

(Red version - YBO-R/3(RED) for use with CHQ-WS2 Wall Sounder and CHQ-WSB Wall Sounder Beacon)



- Electronics free
- Stainless steel contacts
- Takes 2.5mm² cables
- Slim profile - only 8mm
- Rugged wiring contacts
- Facility for remote indicator
- Quick connection via square cable clamps
- Available in RED for use with CHQ-WS2 Wall Sounder and CHQ-WSB Wall Sounder Beacon

YBO-R/SCI



A **Loop Isolator Base** which is fully compatible with Hochiki analog sensors, beacons, sounders and indicators. The unit incorporates an amber LED to show when it is isolating a section of the loop.

(Red version - YBO-R/SCI(RED) for use with CHQ-WS2 Wall Sounder & CHQ-WSB Wall Sounder Beacon)



- Detects short circuits on loop
- Status LED
- Connection of up to 127 per loop
- Quick connection via square cable clamps
- Available as a DIN Rail Module
- Available in RED for use with CHQ-WS2 Wall Sounder & CHQ-WSB Wall Sounder Beacon

CHQ-WS2



An **Addressable Loop-Powered Wall Sounder** providing 8 volume levels and 51 tones with a maximum output of up to 102 dB(A) (+2 dB(A)) with low current consumption. Special bases available: YBO-R/3(RED), YBO-R/SCI(RED), YBO-R/3(WHT) and YBO-R/SCI(WHT-SNDR).



- Loop powered
- Single loop address - addressed via the TCH-B100 hand held programmer
- Variable sound output 90 - 102 dB(A) (32 dB(A)) output at 1m
- Fits Hochiki standard or isolator base
- Weatherproof kit available
- 51 user-selectable tones (all tones EN54-3 compatible)
- Auto-shutdown mode available*

* Please ensure Control Panel compatibility

CHQ-WSB



An **Addressable Loop-Powered Wall Sounder Beacon** as per the CHQ-WS2 but additionally featuring an integral beacon within the horn which utilises high intensity LED technology. Special bases available: YBO-R/3(RED), YBO-R/SCI(RED), YBO-R/3(WHT) and YBO-R/SCI(WHT-SNDR).



- As per CHQ-WS2 plus:
- Variable flash frequency*
- High intensity LED technology
- Independent control of sounder and beacon*
- Auto-shutdown mode available - can be set independently for sounder or beacon*

* Please ensure Control Panel compatibility

WS2-WPK



A **Weatherproof Back Box and Gasket Set** for the CHQ-WS2 Wall Sounder and the CHQ-WSB Wall Sounder Beacon, increases the IP rating of the sounder to IP65 for external use.



- Designed for CHQ-WS2 and CHQ-WSB
- Increases sounder IP rating from IP21 to IP65 (external use)
- Easy to install



YBO-BS

An **Addressable Loop-Powered Base Sounder** providing 13 volume levels and 51 tones with a maximum output of up to 98 dB(A) (± 2 dB(A)) with low current consumption. The unit is designed to fit either the YBN-R/3 or the YBO-R/SCI* Bases. (*From batch number 6044)



- Loop powered
- Single loop address – addressed automatically by Control Panel or via the TCH-B100 hand held programmer
- 50 - 98 dB(A) (± 2 dB(A)) output at 1m
- Fits Hochiki standard or isolator base and supports ESP sensors, beacons and remote indicator
- 51 user-selectable tones (all tones EN54-3 compatible)



YBO-BSB

An **Addressable Loop-Powered Base Sounder Beacon** providing 13 volume levels and 51 tones with a maximum output of up to 98 dB(A) (± 2 dB(A)) with low current consumption. The unit is designed to fit either the YBN-R/3 or the YBO-R/SCI* Bases. (*From batch number 6044)



- Loop powered
- Single loop address, addressed by either Control Panel or TCH-B100
- 50 - 98 dB(A) (± 2 dB(A)) output at 1m
- Fits Hochiki standard or isolator base and supports ESP sensors, beacons and remote indicators
- 51 user-selectable tones (all tones EN54-3 compatible)
- Beacons and sounders can be controlled independently*

* Please ensure Control Panel compatibility



CHQ-AB

An **Addressable Loop-Powered Beacon** with high-intensity LEDs and a Fresnel lens design which produces a highly visible flash. The casing exactly matches the Hochiki Analogue Sensor range in shape and colour providing seamless integration.



- High Intensity LED technology
- 1 Hz flash frequency
- Addressable via TCH-B100
- Up to 127 devices per loop
- Choice of 3 lens colours (red, amber and blue)



CHQ-ARI

An **Addressable Loop-Powered Remote Indicator**, with high-intensity LEDs and a Fresnel lens design which produces a highly visible signal. The casing exactly matches the Hochiki Analogue Sensor range in shape and colour providing seamless integration. The unit also features two monitored inputs.



- High Intensity LED technology
- Addressable via TCH-B100
- Up to 127 devices per loop



CHQ-POM

A **Powered Output Module** designed to supply a nominal 24 Vdc at various, user-selectable current levels from 2 to 32 mA (in increments of 2 mA). The unit is small enough to be added to other third-party devices thereby allowing a range of equipment to be added to the Analogue loop. The unit also features two monitored inputs.

- Supplies a nominal 24 Vdc at various current levels, 2 mA to 32 mA in increments of 2 mA
- User-selectable current output
- Includes two monitored inputs
- Small design provides simple connectivity to Analog loop for third-party devices
- Colour-coded flying leads for simple installation
- Addressed with TCH-B100 Hand Held Programmer



CHQ-SIM

A **Single Input Module** designed to allow a single monitored input to be connected to the Analogue loop. This provides a compact, low-cost option where the installation of the larger CHQ 'Smart-Fix' range of modules might be difficult.

- Includes a single monitored input
- Small design for simple provision of a monitored input onto an analogue loop
- Flying leads for easy installation
- Addressed with TCH-B100 Hand Held Programmer



CHQ-DIM(SCI)

A **Dual Input Module** designed to interface to a variety of inputs such as door contacts, sprinkler flow/door switches and plant equipment. Also available as a DIN Rail mountable version. Both models feature an integral Short-Circuit Isolator.

- Loop powered
- Single loop address
- Two independent inputs for monitoring of volt-free contacts
- Each input can be configured to monitor either normally open or normally closed contacts
- DIN Rail version available
- Both models feature an integral Short-Circuit Isolator



CHQ-DRC(SCI)

A **Dual Relay Controller** designed to provide two general-purpose relay outputs. Each output can be controlled independently and used to control dampers, plant and equipment shutdown. The monitored input can be used for local power supply fault monitoring or as a general-purpose input. Also available as a DIN Rail mountable version. Both models feature an integral Short-Circuit Isolator.

- Loop powered
- Single loop address
- Two independently controlled changeover relays
- Relays contact rated at 30 Vdc at 1 amp
- Auxiliary monitored input
- DIN Rail version available
- Both models feature an integral Short-Circuit Isolator



CHQ-DZM(SCI)

A **Dual Zone Module** designed to allow up to 60 conventional detectors (30 per zone) to be interfaced to Hochiki's Analogue Addressable system. Also available as a DIN Rail mountable version. Both models feature an integral Short-Circuit Isolator.

- Single loop address
- Supports two independent zones of conventional detectors
- Both zones fully monitored for short/open circuit
- Requires an auxiliary 24 Vdc supply
- DIN Rail version available
- Both models feature an integral Short-Circuit Isolator



CHQ-MRC(SCI)

A **Mains Relay Controller** providing a single, mains rated relay output for the control of such devices as dampers, extractors or plant and equipment shutdown. The monitored input can be used for local power supply fault monitoring or as a general-purpose input. Also available as a DIN Rail mountable version. Both models feature an integral Short-Circuit Isolator.

- Loop-powered
- Single loop address
- Single mains rated relay contact
- Relay contact rated at 250 Vac at 5 amp (resistive) & 48 Vdc at 2 amp (resistive)
- Auxiliary monitored input
- Screw terminals & flying leads for easy cable termination
- DIN Rail version available
- Both models feature an integral Short-Circuit Isolator



CHQ-PCM(SCI)

A **Plant Control Module** with four independent change-over relay outputs, with N/O and N/C volt free contacts and four inputs. These outputs can be driven separately by the fire alarm Control Panel and can be used for the control of devices such as dampers or for plant and equipment shutdown. Also available as a DIN Rail mountable version. Both models feature an integral Short-Circuit Isolator.

- Single loop address
- Loop powered
- 4 change-over relay outputs
- 4 independent inputs for monitoring of volt-free contacts
- Each input can be configured to monitor either normally open or normally closed contacts
- DIN Rail version available
- Both models feature an integral Short-Circuit Isolator



CHQ-DSC(SCI)

A **Dual Sounder Controller**, which has been designed to provide two sounder outputs (that can be driven separately) with full fault monitoring. The monitored input can be used for local power supply fault monitoring or as a general-purpose input and features an integral Short-Circuit Isolator.

- Single loop address
- Two independent sounder circuits
- Each circuit fully monitored for open and short circuit faults
- Each alarm circuit fused at 1 amp
- Auxiliary monitored Input
- Outputs are synchronised and can be driven continuously or intermittently
- 24 Vdc auxiliary power required
- Features an integral Short-Circuit Isolator



CHQ-SZM(SCI)

A **Single Zone Monitor** designed to allow up to 6 conventional detectors to be interfaced to Hochiki's Analogue Addressable system. Also available as a DIN Rail mountable version. Both models feature an integral Short-Circuit Isolator.

- Loop powered
- Up to 6 conventional detectors
- Single loop address
- Remote LED output
- Fully monitored for short and open circuit faults
- DIN Rail version available
- Both models feature an integral Short-Circuit Isolator



HCP-E(SCI)

A **Manual Call Point Isolator** fully compatible with Hochiki's Analogue Addressable protocol and featuring an integral Short-Circuit Isolator (SCI). Features a bicoloured LED to indicate either fire (red) or short-circuit (amber). Also features plug-in wiring terminals for easy installation. Note - requires SR-BACKBOX if surface mounted (sold separately).

- Fast response
- Integral Short-Circuit Isolator
- Bicolour status LED
- Non-frangible element fitted as standard (conforms to EN54)
- Addressed with TCH-B100 Hand Held Programmer
- Surface or flush mounting
- Weatherproof version available: HCP-W(SCI)



HCP-W(SCI)

An **IP67 Weatherproof Manual Call Point Isolator** fully compatible with Hochiki's Analogue Addressable protocol and featuring an integral Short-Circuit Isolator (SCI). Features a bicoloured LED to indicate either fire (red) or short-circuit (amber). Also features plug-in wiring terminals for easy installation.

- Fast response
- Integral Short-Circuit Isolator
- Bicolour status LED
- Non-frangible element fitted as standard (conforms to EN54)
- Addressed with TCH-B100 Hand Held Programmer
- IP67 rated

FIREwave® WIRELESS FIRE DETECTION

Hochiki's FIREwave system raises wireless fire detection and alarm systems to new levels of reliability and flexibility. The system utilises the latest wireless technology to provide rapid, yet economic wireless fire system installations with minimal disturbance to its surroundings. Ideal for historic buildings, remote sites and any project where the installation of fire cabling is difficult, overly expensive or prohibited.



RSM-WTM-AS

A **Wire to Wireless Translator Module** which allows a wireless fire detection system to be interfaced directly onto the loop. Fully loop-powered, the unit can support up to 32 wireless devices* or up to 7 RSM-EXP-AS Expander Modules**.

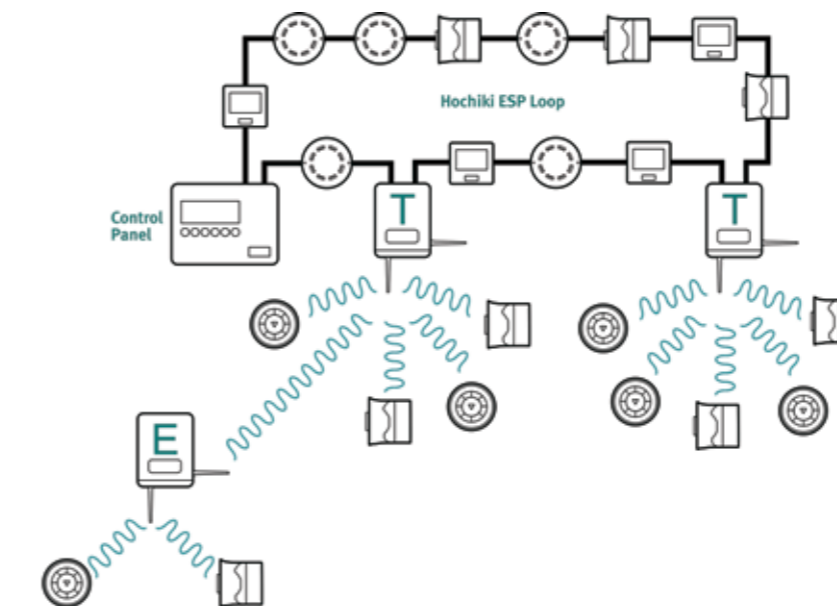
- Loop powered
- Bi-directional wireless communication
- Self optimising wireless amplitude and frequency
- Automatic wireless channel hopping
- Fully intelligent
- High reliability and sensitivity
- Flexible on site device adjustment
- Exterior mounting protection
- Makes additions to existing wired systems easy and cost effective
- Approved to AS4428.9-2006, EN54-17, 18



RSM-EXP-AS

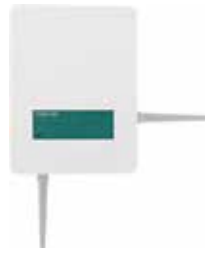
A **Wire to Wireless Expander Module** which allows extended signal coverage for the wireless system by boosting signal strengths from translators, to cover larger buildings for example. Up to 7 RSM-EXP-AS Expander Modules** can be supported by a single RSM-WTM-AS Wireless Translator Module.

- Bi-directional wireless communication
- Self optimising wireless amplitude and frequency
- Automatic wireless channel hopping
- Fully intelligent
- High reliability and sensitivity
- Flexible on site device adjustment
- Exterior mounting protection
- Makes additions to existing wired systems easy and cost effective
- Requires external power supply (9 - 27 Vdc)
- Approved to AS4428.9-2006, EN54-18



* Maximum number of 16 output devices such as A/V or output modules.
 **Maximum of 5 child Expander Modules connected in cascade or a maximum of 3 child Expander Modules connected directly to the Translator Module or another Expander Module

RSM-CIM-AS



A **Wireless Conventional Interface Module** which allows a zone of wireless devices to be added to an existing conventional zone (or as a stand-alone zone). The zone is wired directly to the RSM-CIM-AS which is then in turn supported by an RSM-EXP-AS Expander Module.

- Bi-directional wireless communication
- Self optimising wireless amplitude and frequency
- Automatic wireless channel hopping
- Fully intelligent
- High reliability and sensitivity
- Flexible on site device adjustment
- Exterior mounting protection
- Makes additions to existing wired systems easy and cost effective
- Requires external power supply for use as stand-alone zone
- Approved to AS4428.9-2006, EN54-18

RSM-IP-AS



A **Wireless Single Channel Input Module** which allows the on/off status (alarm/fault) of an external device to be transmitted to a Control Panel wirelessly via an RSM-CIM-AS, RSM-EXP-AS or RSM-WTM-AS.

- Input circuits are monitored for fire and fault conditions
- Bi-directional wireless communication
- Self optimising wireless amplitude and frequency
- Automatic wireless channel hopping
- Fully intelligent
- High reliability and sensitivity
- Flexible on site device adjustment
- Makes additions to existing wired systems easy and cost effective
- Approved to AS4428.9-2006, EN54-18

RSM-OP-AS



A **Wireless Single Channel Output Module** which allows the Control Panel to activate/switch the circuits of an external device wirelessly via an RSM-EXP-AS or RSM-WTMAS. The unit's contacts can be configured to be normally open or normally closed and switch at 30 Vdc/125 Vac at 2 A.

- Contacts can be configured as N/O or N/C
- Bi-directional wireless communication
- Self optimising wireless amplitude and frequency
- Automatic wireless channel hopping
- Fully intelligent
- High reliability and sensitivity
- Flexible on site device adjustment
- Makes additions to existing wired systems easy and cost effective
- Requires external power supply
- Approved to AS4428.9-2006, EN54-18

RSM-POM-AS



A **Wireless Powered Output Module** which allows the Control Panel to activate/switch the circuits of an external device or system wirelessly via an RSM-CIM-AS, RSM-EXP-AS or RSM-WTM-AS. The unit's contacts can be configured to be normally open or normally closed and switch at 30 Vdc/125 Vac at 2 A. The unit can be configured to provide either a 12 Vdc or a 24 Vdc output.

- Contacts can be configured as N/O or N/C
- Selectable output - 12 Vdc or 24 Vdc
- Bi-directional wireless communication
- Self optimising wireless amplitude and frequency
- Automatic wireless channel hopping
- Fully intelligent
- High reliability and sensitivity
- Flexible on site device adjustment
- Makes additions to existing wired systems easy and cost effective
- Approved to AS4428.9-2006, EN54-18

RSM-CP-AS



A **Wireless Resettable Manual Call Point** which features a simulated glass front. When activated, a plastic 'flag' is displayed in the window of the unit; the supplied key will reset the flag and unit. Supplied with back box. Weatherproof version also available (RSM-CP/W-AS).

- Bi-directional wireless communication
- Fully intelligent
- Utilises standard low cost lithium battery technology
- Long battery life
- Resettable Element
- Clear 'device activated' warning flag
- High reliability
- Automatic channel hopping
- Self optimising wireless amplitude and frequency
- Weatherproof version available
- Approved to AS7240.11-2008, AS4428.9-2006

ROD-E-AS



A **Wireless Intelligent Photoelectric Smoke Sensor** with a patented smoke chamber ensuring optimal smoke sensitivity with increased protection from airborne contamination and background illumination. The sensor is fitted with a single omni-directional LED and a reed switch facility allowing testing using a magnet.

- Patented smoke chamber design
- Bi-directional wireless communication
- Adaptive signal processing helps with the elimination of false alarms
- Automatic wireless channel hopping
- Fully intelligent with high reliability and sensitivity
- Flexible on site device adjustment
- Makes additions to existing wired systems easy and cost effective
- Approved to AS7240.7-2004, AS4428.9-2006

RHD-E-AS



A **Wireless Intelligent Rate of Rise Heat Sensor** with a thermistor sensing element. The sensor is fitted with a single omni-directional LED and a reed switch facility allowing testing using a magnet.

- Thermistor-type heat sensing element
- Bi-directional wireless communication
- Adaptive signal processing helps with the elimination of false alarms
- Automatic wireless channel hopping
- Fully intelligent with high reliability and sensitivity
- Flexible on site device adjustment
- Makes additions to existing wired systems easy and cost effective
- Approved to AS7240.5-2004 class A1R, AS4428.9-2006

RMD-E-AS



A **Wireless Intelligent Multi Sensor** with a patented smoke chamber and thermistor heat sensing element. The sensor is fitted with a single omni-directional LED and a reed switch facility allowing testing using a magnet.

- Detects smoke and/or heat
- Bi-directional wireless communication
- Adaptive signal processing helps with the elimination of false alarms
- Automatic wireless channel hopping
- Fully intelligent with high reliability and sensitivity
- Flexible on site device adjustment
- Makes additions to existing wired systems easy and cost effective
- Approved to AS7240.5/7-2004, AS4428.9-2006

RSM-WS-AS (RED)



A **Wireless Intelligent Wall Sounder** providing 3 tones with an adjustable volume level up to a maximum output of 100 dB(A). Also available in white, RSM-WS-AS(WHT).

- 3 Tones, adjustable volume up to 100 dB(A)
- Bi-directional wireless communication
- Automatic wireless channel hopping
- Easy and cost-effective additions to existing wired systems
- Approved to AS4428.9-2006, EN54-3
- IP21C

RSM-WS/W-AS (RED)



A **Wireless Intelligent Weatherproof Wall Sounder** providing 3 tones with an adjustable volume level up to a maximum output of 100 dB(A). Also available in white, RSM-WS/W-AS(WHT).

- 3 Tones, adjustable volume up to 100 dB(A)
- Bi-directional wireless communication
- Automatic wireless channel hopping
- Easy and cost-effective additions to existing wired systems
- Approved to AS4428.9-2006, EN54-3
- IP66



RSM-WSB-AS (RED)

A **Wireless Intelligent Wall Sounder Beacon** providing 5 tones with an adjustable volume level up to a maximum output of 100 dB(A). Also provides a flash rate/light output of 1 Hz/1 Cd and is available in white, RSM-WSB-AS(WHT).



- 5 Tones, adjustable volume up to 100 dB(A)
- Flash rate/light output of 1 Hz/1 Cd
- Bi-directional wireless communication
- Automatic wireless channel hopping
- Easy and cost-effective additions to existing wired systems
- Approved to AS4428.9-2006, EN54-3
- IP21C



RSM-WSB/W-AS (RED)

A **Wireless Intelligent Weatherproof Wall Sounder Beacon** providing 5 tones with an adjustable volume level up to a maximum output of 100 dB(A). Also provides a flash rate/light output of 1 Hz/1 Cd and is available in white, RSM-WSB/W-AS(WHT).



- 5 Tones, adjustable volume up to 100 dB(A)
- Flash rate/light output of 1 Hz/1 Cd
- Bi-directional wireless communication
- Automatic wireless channel hopping
- Easy and cost-effective additions to existing wired systems
- Approved to AS4428.9-2006, EN54-3
- IP66



RSM-BS-AS

A **Wireless Intelligent Base Sounder** providing 32 tones as standard with a volume range of between 90.1 to 92.4 dB(A) at 1m. The pre-moulded base will accommodate any type of FIREwave wireless detector, or a locking cover plate (RSM-C-AS).



- 32 Tones, adjustable volume from 90.1 to 92.4 dB(A)
- Bi-directional wireless communication
- Automatic wireless channel hopping
- Easy and cost-effective additions to existing wired systems
- Approved to AS4428.9-2006, EN54-3



RSM-BSB-AS

A **Wireless Intelligent Base Sounder Beacon** providing 32 tones as standard with a volume range of between 90.1 to 92.4 dB(A) at 1m and a 1 Hz flash rate. The pre-moulded base will accommodate any type of FIREwave wireless detector, or a locking cover plate (RSM-C-AS).



- 32 Tones, adjustable volume from 90.1 to 92.4 dB(A)
- Flash rate of 1 Hz
- Bi-directional wireless communication
- Automatic wireless channel hopping
- Easy and cost-effective additions to existing wired systems
- Approved to AS4428.9-2006, EN54-3



RSM-BSC

A **Protective Lockable Cap** which can be fitted to the RSM-BSB-AS and RSM-BS-AS wireless base sounders when either of these devices isn't fitted with a sensor.



- Protects wiring terminals on isolator bases and base sounders
- Easy to fit

ANALOGUE SENSORS FOR FIRENET, NFP, PHOENIX PANELS



ALK-AS

A **Photoelectric Smoke Sensor** incorporating Hochiki's unique High Performance Chamber which allows the sensor threshold level to be increased, thereby improving the signal to noise ratio and reducing susceptibility to false alarms.



- High Performance Chamber
- Twin fire LEDs allow 360° viewing
- Locking mechanism (sensor to base)
- Variable sensitivity
- Electronically addressed
- Compatible bases: YBN-R/2NA, YBO-BS, YBO-BSB, YBO-R/SCI
- Approval: AS7240.7



ACA-E

A **Multi-Sensor** incorporating a thermal element and a High Performance Photoelectric Smoke Chamber.



- High Performance Chamber
- Incorporates optical & heat elements
- Twin fire LEDs allow 360° viewing
- Variable sensitivity
- Electronically addressed
- Compatible bases: YBN-R/2NA, YBO-BS, YBO-BSB, YBO-R/SCI
- Approval: AS1603.1 & AS1603.2



ACB-AS

A **Multi-Heat Sensor** incorporating a variable fixed temperature heat element and a rate of rise heat element, both controlled from the Control Panel allowing either thermal element or both elements simultaneously to be active in making the fire decision.



- User selectable modes
- Incorporates fixed temperature and rate of rise heat elements
- Twin fire LEDs allow 360° viewing
- Electronically addressed
- Compatible bases: YBN-R/2NA, YBO-BS, YBO-BSB, YBO-R/SCI
- Approval: AS1603.1 Class A, B, C and D



ACB-ASW

An **IP67 Rated Waterproof Multi-Heat Sensor** which can be used externally and is supplied with its own fixing base which is used to fix the sensor. Flying leads from the sensor connect directly to the loop via waterproof connectors.



- User selectable modes
- Incorporates Fixed temperature and rate of rise heat elements
- Twin fire LEDs allow 360° viewing
- Electronically addressed
- IP67 rated
- Supplied with fixing base
- Approval: AS1603.1 Class A, B, C and D



YBN-R/2NA

A **Common Mounting Base** which is fully compatible with ALK-AS, ACA-E and ACB-AS sensors. Supplied with square cable clamps for secure and reliable cable termination and is also capable of driving a remote LED if required.



- Electronics free
- Stainless steel contacts
- Takes 2.5mm² cables
- Slim profile - only 8mm
- Rugged wiring contacts
- Facility for remote indicator
- Quick connection via square cable clamps

NEW CONVENTIONAL DETECTORS AND DEVICES FOR SIGMA CP PANELS

New Conventional Fire Detection. Hochiki's Conventional Range offers one of the most extensive product portfolios available, providing solutions for most conventional fire applications, with a heritage of innovative design and leading edge technologies.



SLV-AS3

The **SLV-AS3 is a Photoelectric Smoke Detector** which is fully compatible with the majority of existing conventional systems. The SLV-AS3 incorporates Hochiki's unique High Performance Photoelectric Smoke Chamber removing the need to use Ionisation Detectors in the majority of applications. An integral third terminal provides a remote indicator output.



- Remote indicator output
- Wide voltage range (9.5 - 30 Vdc)
- Low profile design with one piece outer cover
- Twin fire LEDs allow 360° viewing
- Range of mounting bases
- Approval: AS7240.7



DCD-A3

A **Model DCD-A3 is a Rate of Rise Heat Detector** with a 60°C fixed temperature element using a thermistor and linearising circuit to provide an accurate linear response heat detector. A third terminal provides integral remote indicator output. The DCD-A3 is ideal for use where medium ambient temperatures exist, such as drying rooms or where smoke detectors are unsuitable because of the presence of steam or cooking fumes such as in a kitchen.



- Electronic linear heat detection
- Remote Indicator output
- Wide voltage range (9.5 - 30 Vdc)
- Twin fire LEDs allow 360° viewing
- Range of mounting bases
- Approval: AS7240.5



DCD-C3

A **Model DCD-C3 is a Rate of Rise Heat Detector** with a 90°C fixed temperature element using a thermistor and linearising circuit to provide an accurate linear response heat detector. A third terminal provides integral remote indicator output. The DCD-C3 is ideal for use where medium ambient temperatures exist, such as drying rooms or where smoke detectors are unsuitable because of the presence of steam or cooking fumes such as in a kitchen.



- Electronic linear heat detection
- Remote Indicator output
- Wide voltage range (9.5 - 30 Vdc)
- Twin fire LEDs allow 360° viewing
- Range of mounting bases
- Approval: AS7240.5



DFJ-A3

A **Model DFJ-A3 is a 60°C Fixed Temperature Heat Detector** using a thermistor and linearising circuit to provide an accurate linear response heat detector. A third terminal provides integral remote indicator output. The DFJ-A3 is ideal for use where medium ambient temperatures exist, such as drying rooms or where smoke detectors are unsuitable because of the presence of steam or cooking fumes such as in a kitchen.



- Electronic linear heat detection
- Remote Indicator output
- Wide voltage range (9.5 - 30 Vdc)
- Twin fire LEDs allow 360° viewing
- Fixed temperature detector
- Range of mounting bases
- Approval: AS7240.5



DFJ-C3

A **Model DFJ-C3 is a 90°C Fixed Temperature Heat Detector** using a thermistor and linearising circuit to provide an accurate linear response heat detector. A third terminal provides integral remote indicator output. The DFJ-C3 is ideal for use where medium ambient temperatures exist, such as drying rooms or where smoke detectors are unsuitable because of the presence of steam or cooking fumes such as in a kitchen.



- Electronic linear heat detection
- Remote Indicator output
- Wide voltage range (9.5 - 30 Vdc)
- Twin fire LEDs allow 360° viewing
- Fixed temperature detector
- Full range of mounting bases
- Approval: AS7240.5



YBN-R/6

A **Model YBN-R/6 is a Conventional Detector Mounting Base** associated with the NEW Sigma CP series range of detectors.



- Integral remote indicator output
- Low Profile, only 8mm
- Rugged design and electronics free
- Quick connections via square cable clamps
- Accepts 2.5mm² cables
- Bayonet slot, low insertion force for detectors



YBO-R/6PA

A **Model YBO-R/6PA is a Conventional Detector Mounting Base** for 2 wire Systems where detectors and sounders are on the same zone cables.



- Integral remote indicator output
- Rugged design
- Dedicated cable screen terminal
- Quick connection via square cable clamps accepts up to 2.5mm² cables
- Bayonet slot, low insertion force for detectors



YBO-R/6R

A **Conventional Latching Relay Mounting Base.**

Model YBOR/6R is a conventional detector mounting base associated with the NEW conventional range of detectors.



- Integral remote indicator
- Wide voltage range – can be used in security systems
- Rugged design
- Quick connections via square cable clamps
- Accepts 2.5mm² cables
- Bayonet slot, low insertion force for detectors



YBO-R/6RN

A **Conventional Non-Latching Relay Mounting Base.**

Model YBOR/6RN is a conventional detector mounting base associated with the NEW conventional range of detectors.



- Integral Remote Indicator
- Wide Voltage Range – can be used in security systems
- Rugged design
- Quick connections via square cable clamps
- Accepts 2.5mm² cables
- Bayonet slot, low insertion force for detectors



DFG-60BLKJ(AS)

An **IP67 Waterproof Conventional 60°C Fixed Temperature Heat Detector** with minimal standby current and high reliability. Particularly suited to environments, which are exposed to high levels of condensation or are hosed down.



- Waterproof design – rated to IP67
- Low profile shape
- Utilises a bimetallic strip to sense temperature change
- No mounting base required
- Minimal standby current
- Approval: AS7240.5



DRD-AS

A **Conventional Flame Detector** designed for internal use to detect large flames. The detection zone is a 90° cone and the detection range is up to and including 25m.

- Class 1 performance as defined in
- BS EN54-10:2002 (range up to 25m)
- Single IR technology
- Robust and slim design
- Low current consumption
- Easy to install
- Fits any of the CDX range of mounting bases
- Twin LEDs for 360° view
- Compatible bases: YBN-R/6, YBO-R/6PA
- Approval: EN54-10



CSB-E

A **Conventional Base Sounder** which has been designed to complement the Hochiki conventional range of detectors. Improved electronic design enables very low current consumption whilst providing a range of tones and volumes selectable from each unit.

- Robust design
- Low current consumption
- Easy to install
- Maximum 93 dB(A) at 1m (Tone 1)
- 32 user-selectable tones and 3 user-selectable volumes
- Utilises high intensity LEDs
- Lockable cap available (CS/CAP)



CSBB-E

A **Conventional Base Sounder Beacon** which has been designed to complement the Hochiki conventional range of detectors. Improved electronic design enables very low current consumption whilst providing a range of tones and volumes selectable from each unit. Features integral beacon.

- Robust design
- Low current consumption
- Easy to install
- Maximum 93 dB(A) at 1m (Tone 1)
- 32 user-selectable tones and 3 user-selectable volumes
- Utilises high intensity LEDs
- Lockable cap available (CS/CAP)



BANSHEE EXCEL (BE-SSB)

An **Electronic Conventional Sounder** which can be installed internally.

- Robust design
- Low current consumption
- Easy to install
- Maximum 110 dB(A) at 1m (dependant on tone selected)
- 32 user-selectable tones



BANSHEE EXCEL IP66 (BE-SDB)

An **Electronic Conventional Sounder** comes with a deeper IP66 back box, which enables the unit to be installed externally.

- Robust design
- Low current consumption
- Easy to install
- Deep base provides IP66 protection
- Maximum 110 dB(A) at 1m (dependant on tone selected)
- 32 user-selectable tones



BANSHEE EXCEL LITE (BEL-SBSB)

An **Electronic Conventional Sounder Beacon** which can be installed internally.

- Robust design
- Low current consumption
- Easy to install
- Xenon beacon technology
- Maximum 110 dB(A) at 1m (dependant on tone selected)
- 32 user-selectable tones



BANSHEE EXCEL LITE IP66 (BEL-SBDB)

An **Electronic Conventional Sounder Beacon** comes with a deeper IP66 back box, which enables the unit to be installed externally.

- Robust design
- Low current consumption
- Easy to install
- Xenon beacon technology
- Deep base provides IP66 protection
- Maximum 110 dB(A) at 1m (dependant on tone selected)
- 32 user-selectable tones



CLB-E

A **Conventional Beacon** for use on 24V sounder circuits. The unit is fitted with a Fresnel lens and high-intensity LEDs, a design which produces a highly visible flash. The casing exactly matches the Hochiki conventional detector range in shape and colour providing seamless integration.

- High Intensity LED technology
- Colour-matched to existing detector and base ranges
- Fits standard conventional base (YBN-R/6)



CCP-E

The **CCP-E is a conventional call point** based upon the industry standard KAC world series housing and features easy to install, push fit wiring terminals. The unit can support either Frangible Glass element or Non Frangible Plastic element.

Note - requires SRBACKBOX if surface mounted (sold separately).

- Supports either a 'Frangible Glass' element or a 'Non Frangible Plastic' element
- Terminals can accommodate up to a 2.5mm² solid conductor
- Approved to EN54
- Rugged design



CCP-W

The **CCP-W is a IP67 Weatherproof conventional call point** based upon the industry standard KAC world series housing and features easy to install, push fit wiring terminals. The unit can support either Frangible Glass element or Non Frangible Plastic element.

Note - requires SR-BACKBOX if surface mounted (sold separately).

- Supports either a 'Frangible Glass' element or a 'Non Frangible Plastic' element
- Terminals can accommodate up to a 2.5mm² solid conductor
- Approved to EN54
- Weatherproof IP67
- Rugged design

CONVENTIONAL DETECTORS

“ Conventional Fire Detection. Hochiki's Conventional Range offers one of the most extensive product portfolios available, providing solutions for most conventional fire applications, with a heritage of innovative design and leading edge technologies.



SLV-AS

A **Conventional Photoelectric Smoke Detector**, which is fully compatible with the majority of existing conventional systems.



- High Performance Chamber
- Low profile design with one piece outer cover
- Twin fire LEDs allow 360° viewing
- Remote Indicator output (with YBO-R/4A base)
- Compatible bases: YBO-R/4A and YBN-R/4C
- Approval: AS1603.2



DCD-A

A **Conventional Rate of Rise Heat Detector** incorporating a 60°C fixed temperature element. The thermistor and linearising circuit provide an accurate linear response heat detector.



- Electronic linear heat detection
- Twin fire LEDs allow 360° viewing
- Remote Indicator output (with YBO-R/4A base)
- Compatible bases: YBO-R/4A and YBN-R/4C
- Approval: AS1603.1



DCD-C

A **Conventional Rate of Rise Heat Detector** incorporating a 90°C fixed temperature element. The thermistor and linearising circuit provide an accurate linear response heat detector.



- Electronic linear heat detection
- Twin fire LEDs allow 360° viewing
- Remote Indicator output (with YBO-R/4A base)
- Compatible bases: YBO-R/4A and YBN-R/4C
- Approval: AS1603.1



DFJ-60B

A **Conventional 60°C Fixed Temperature Heat Detector** using a thermistor and linearising circuit to provide an accurate linear response heat detector.



- Electronic linear heat detection
- Twin fire LEDs allow 360° viewing
- Fixed temperature detector
- Remote indicator output (YBO-R/4A base)
- Compatible bases: YBO-R/4A and YBN-R/4C
- Approval: AS1603.1



DFJ-90D

A **Conventional 90°C Fixed Temperature Heat Detector** using a thermistor and linearising circuit to provide an accurate linear response.



- Electronic linear heat detection
- Twin fire LEDs allow 360° viewing
- Fixed temperature detector
- Remote indicator output (YBO-R/4A base)
- Compatible bases: YBO-R/4A and YBN-R/4C
- Approval: AS1603.1



SPC-AS

A **Conventional Beam Smoke Detector** that consists of an emitter and receiver that cover a distance of 5 - 100m providing a maximum coverage of 1500m². Features an automatic signal strength adjustment facility and is also available with a latching or a non-latching relay.



- 5 - 100m range
- Automatic compensation
- Automatic signal strength adjustment
- Features a Latching or Non-Latching Fault Relay
- Can be interfaced onto Hochiki Analogue system via CHQ-DZM or CHQ-SZM
- Approval: AS7240.12



YBO-R/4A

A **Conventional Detector Mounting Base** with remote LED function associated with SLV-AS, DCD-A, DCD-C, DFJ-60B, DFJ-90D.



- Remote indicator output
- 10mm Profile
- Rugged design and electronics free
- Quick connections via square cable clamps
- Accepts 2.5mm² cables
- Bayonet slot, low insertion force for detectors



YBN-R/4C

A **Conventional Detector Mounting Base** without remote LED function associated with SLV-AS, DCD-A, DCD-C, DFJ-60B, DFJ90D.



- Low Profile, only 8mm
- Rugged design and electronics free
- Quick connections via square cable clamps
- Accepts 2.5mm² cables
- Bayonet slot, low insertion force for detectors



DFG-60BLKJ (AS)

An **IP67 Waterproof Conventional 60°C Fixed Temperature Heat Detector** with minimal standby current and high reliability. Particularly suited to environments, which are exposed to high levels of condensation or are hosed down.



- Waterproof design - rated to IP67
- Low profile shape
- Utilises a bimetallic strip to sense temperature change
- No mounting base required
- Minimal standby current
- Approval: AS7240.5



DRD-AS

A **Conventional Flame Detector** designed for internal use to detect large flames. The detection zone is a 90° cone and the detection range is up to and including 25m.



- Class 1 performance as defined in
- BS EN54-10:2002 (range up to 25m)
- Single IR technology
- Robust and slim design
- Low current consumption
- Easy to install
- Fits any of the CDX range of mounting bases
- Twin LEDs for 360° view
- Compatible bases: YBN-R/6, YBO-R/6PA
- Approval: EN54-10

HOCHIKI CONVENTIONAL DETECTORS PANEL COMPATIBILITY CHART

(MAXIMUM NUMBER OF DEVICES ALLOWED PER AZF)

MANUFACTURER	PANEL MODEL NUMBER	DETECTOR					
		THERMAL DCD-A	THERMAL DJF-60B	THERMAL DCD-C	THERMAL DJF-90D	SMOKE SLR-AS SLV-AS	SMOKE SJ-ASN
AMPAC	ZONESENSE	40	40	40	40	40	40
	AB1000, AB800, AB2000, AP1542	39	39	39	39	39	31
	AP 1671 FIREFINDER	40	40	40	40	40	40
	AB3000, AP1417,	40	40	40	40	40	40
	XP 95 DEVICE	40	40	40	40	40	40
	AB04	33	33	33	33	33	26
	AB40	23	23	16	16	N/C	N/C
CHUBB FFE	FFE MCP-002, 10000 LAM, 10000 DCM	40	40	40	40	40	33
	8070, SCP-90,FB-208/56	40	40	40	40	40	40
	HOCHIKI CHQ-DZM(CHQ-Z)FIELD DEVICE	30	30	30	30	30	30
	NFP/PHOENIX CCI CARD	40	40	40	40	40	40
	FIRENET CCI CARD	40	40	40	40	40	40
INERTIA	ZJ1000	40	40	40	40	40	39
	2400 & 008	40	40	40	40	40	40
BROOKS PANALECT	MODEL 128	29	29	29	29	29	23
	MODEL 199	18	18	18	18	18	14
	2010V	40	40	40	40	40	40
	MICROFIRE	40	40	40	40	40	40
VIGILANT	F4000, F3200	40	40	40	40	40	40
	F5000 AZF 301 1K8	40	40	40	40	40	37
	F5000 AZF 301 2K7	31	31	31	31	31	25
	F08	N/C	N/C	N/C	N/C	N/C	N/C
NOTIFIER	2600 & 888	40	40	40	40	40	40
	CFP800	20	20	25	25	20	22
	AFP-100, AFP-200, MMX-2, ID-200, AM2020	40	40	40	40	40	40
ZITON	ZP-E50	40	40	40	40	40	40
	ZP5 AS2	40	40	40	40	40	40
	ZP5 AS1	34	34	23	23	34	34
MATTHEWS FIRE	FYRTEL MICRO 900	35	35	25	25	35	40
DIGITRON	SERIES 86	40	40	40	40	40	40
HONEYWELL	FS90 & 809A	40	40	40	40	40	40
O'DONNELL GRIFFEN	MICRO 1000	40	40	40	40	40	40
	MXL CZM-1	23	23	23	23	23	19
SIMPLEX	4020	40	40	40	40	40	40
	2120	28	28	28	28	28	23
	4100	33	33	33	33	33	27

MARINE FIRE DETECTION

All marine fire detection products have been approved by either Lloyds Register or Germanischer Lloyd. They are ideal for marine use, such as on ships and oil rigs.



ALG-ENM

A **Marine Approved Analogue Addressable Photoelectric Smoke Sensor** incorporating Hochiki's unique High Performance Chamber which allows the sensor threshold level to be increased, thereby improving the signal to noise ratio and reducing susceptibility to false alarms.

- Removable, High Performance Chamber
 - Twin fire LEDs allow 360° viewing
 - Locking mechanism (sensor to base)
 - Variable sensitivity
 - Electronically addressed
 - Pulsing/non-pulsing controlled from panel*
 - Approved to MED by GL
- * Please ensure Control Panel compatibility



AC B-EM

A **Marine Approved Analogue Addressable Multi-Heat Sensor** incorporating a variable fixed temperature heat element and a rate of rise heat element, both controlled from the Control Panel allowing either thermal element or both elements simultaneously to be active in making the fire decision.

- User selectable modes
 - Incorporates fixed temperature and rate of rise heat elements
 - Twin fire LEDs allow 360° viewing
 - Pulsing/non-pulsing controlled from panel*
 - Electronically addressed
 - Approved by LPCB to Classes A, B & C
 - Approved to MED by GL
- * Please ensure Control Panel compatibility



YBN-R/3M

A **Marine Approved Common Mounting Base** which is fully compatible with Hochiki's analogue range of marine approved sensors. Supplied with square cable clamps for secure and reliable cable termination and is also capable of driving a remote LED if required.

- Electronics free
- Supports ESP marine approved sensors
- Stainless steel contacts
- Takes 2.5mm² cables
- Slim profile – only 8mm
- Rugged wiring contacts
- Facility for remote indicator
- Quick connection via square cable clamps
- Approved to MED by GL



YBO-R/SCIM

A **Marine Approved Loop Isolator Base** which is fully compatible with Hochiki's Analogue Range of Marine Approved Sensors. The unit incorporates an amber LED to show when it is isolating a section of the loop.

- Detects short circuits on loop
- Status LED
- Connection of up to 127 per loop
- Supports marine approved sensors
- Quick connection via square cable clamps
- Approved to MED by GL

**CHQ-DIM/M (SCI)**

A **Marine Approved Analogue Addressable Dual Input Module** designed to interface to a variety of inputs such as door contacts, sprinkler flow/door switches and plant equipment. Features an integral Short-Circuit Isolator.



- Loop powered
- Single loop address
- Two independent inputs for monitoring of volt-free contacts
- Each input can be configured to monitor either normally open or normally closed contacts
- Features an integral Short-Circuit Isolator
- Approved to MED by GL

**CHQ-DRC/M (SCI)**

A **Marine Approved Analogue Addressable Dual Relay Controller** designed to provide two general-purpose relay outputs, each output can be controlled independently and used to control dampers, plant and equipment shutdown. The monitored input can be used for local power supply fault monitoring or as a general-purpose input. Features an integral Short-Circuit Isolator.



- Loop powered
- Single loop address
- Two independently controlled changeover relays
- Relays contact rated at 30 Vdc at 1 amp
- Auxiliary monitored input
- Features an integral Short-Circuit Isolator
- Approved to MED by GL

**CHQ-DSC/M (SCI)**

A **Marine Approved Analogue Addressable Dual Sounder Controller**, which has been designed to provide two sounder outputs (that can be driven separately) with full fault monitoring. The monitored input can be used for local power supply fault monitoring or as a general-purpose input. Features an integral Short-Circuit Isolator.



- Single loop address
- Two independent sounder circuits
- Each circuit fully monitored for open and short circuit faults
- Each alarm circuit fused at 1 amp
- Auxiliary monitored Input
- Outputs are synchronised and can be driven continuously or intermittently
- 24 Vdc auxiliary power required
- Features an integral Short-Circuit Isolator
- Approved to MED by GL

**CHQ-SZM/M (SCI)**

A **Marine Approved Analogue Addressable Single Zone Monitor** designed to allow up to 6 marine approved conventional detectors to be interfaced to Hochiki's Analogue Addressable system. Features an integral Short-Circuit Isolator.



- Loop powered
- Up to 6 conventional detectors
- Single loop address
- Remote LED output
- Fully monitored for short and open circuit faults
- Features an integral Short-Circuit Isolator
- Approved to MED by GL

**HCP-EM**

A **Marine Approved Analogue Addressable Manual Call Point** fully compatible with Hochiki's Analogue Addressable protocol and featuring plug-in wiring terminals for easy installation. Note - requires SR-BACKBOX if surface mounted (sold separately).



- Fast response
- Status LED
- Non-frangible element fitted as standard (conforms to EN54)
- Addressed with TCH-B100 Hand
- Held Programmer
- Surface or flush mounting
- Weatherproof IP67 version available (HCP-WM)
- Approved to MED by GL

**SLR-E3NM**

A **Marine Approved Conventional Photoelectric Smoke Detector** which is fully compatible with the majority of existing Marine Conventional systems and incorporates a remote indicator output.



- High Performance Chamber
- Remote indicator output
- Wide voltage range (9.5 - 30 Vdc)
- Low profile design with one piece outer cover
- Twin fire LEDs allow 360° viewing
- One master base
- Approved by LPCB, LR and GL

**DCD-AE3M**

A **Marine Approved Conventional Rate of Rise Heat Detector** incorporating a 90°C fixed temperature element. The thermistor and linearising circuit provide an accurate linear response heat detector. A third terminal provides integral remote indicator output.



- Electronic linear heat detection
- Remote indicator output
- Wide voltage range (9.5 - 30 Vdc)
- Twin fire LEDs allow 360° viewing
- Approved by LPCB, LR and GL

**DCD-CE3M**

A **Marine Approved Conventional Rate of Rise Heat Detector** incorporating a 90°C fixed temperature element. The thermistor and linearising circuit provide an accurate linear response heat detector. A third terminal provides integral remote indicator output.



- Electronic linear heat detection
- Remote indicator output
- Wide voltage range (9.5 - 30 Vdc)
- Twin fire LEDs allow 360° viewing
- Approved by LPCB, LR and GL

**YBN-R/6M**

A **Marine Approved Conventional Detector Mounting Base** for the CDX marine approved range of detectors and fully compatible with the majority of existing conventional fire alarm Control Panels.



- Integral remote indicator output
- Low profile, only 8mm
- Rugged design
- Electronics free
- Quick connections via square cable clamps
- Accepts 2.5mm² cables
- Bayonet slot, low insertion force for detectors
- Approved by LR and GL

**MBB-1**

A **Marine Back Box** providing a splash proof and secure fixing for the Hochiki Analogue and conventional marine approved range of sensors and detectors and their associated bases. Provides an aesthetically pleasing solution where surface fixed devices are required. The housing supports four 20mm glanded entries for cabling access.



- 4 glanded cable entry holes (glands not supplied)
- Colour matched
- Approved sensor and base range
- Provides moisture and dust resistant fixing
- Ideal for bulk-head fixing
- Approved by LR and GL
- Non-marine use version available (SBB-1)

INTRINSICALLY SAFE FIRE DETECTION



Hochiki's Intrinsically Safe Conventional range of products has been designed around the existing world-proven Hochiki conventional range. The detectors have been approved for hazardous area use by both LPCB and Germanischer Lloyd.

SLR-E-IS



A **Conventional I.S. Photoelectric Smoke Detector** designed for use in hazardous areas. Incorporates a remote indicator output and a removable chamber for easy maintenance.



- High Performance Chamber
- Twin fire LEDs allow 360° viewing
- Supported by a range of barriers
- Remote indicator output
- IECEx certification to: II 1G EEx ia IIC T5 (Tamb=55°C)
- Suitable for installation in areas at category 1 (inc. all lower categories)
- Approved by BASEEFA

DCD-1E-IS



A **Conventional I.S. Rate of Rise Heat Detector** designed for use in hazardous areas. Incorporates a remote indicator output and a 60°C fixed temperature element.



- Twin fire LEDs allow 360° viewing
- Electronics free mounting base
- Remote indicator output
- IECEx certification to: II 1G EEx ia IIC T5 (Tamb=55°C)
- Suitable for installation in areas at category 1 (inc. all lower categories)
- Approved by BASEEFA

YBN-R/4 (IS)



A **Conventional Detector Mounting Base** associated with the Hochiki conventional range of Intrinsically Safe Detectors and is fully compatible with the majority of existing conventional fire alarm Control Panels.



- Low profile, only 8mm
- Rugged design
- Dedicated cable screen terminal
- Accepts from 1 to 2.5mm² cables
- Quick connection via square cable clamps
- Electronics free

CCP-E-IS



A **Conventional Manual Call Point** designed for use in hazardous areas and based upon the industry standard KAC world series housing.



- Supports either a 'Frangible Glass' element or a 'Non-Frangible Plastic' element
- Terminals can accommodate up to a 2.5mm² solid conductor
- Approved to EN54 part 12
- Rugged design
- ATEX classification to II 1G EEx ia IIC T4

CCP-W-IS



A **Conventional Manual Call Point** designed for use in hazardous areas and based upon the industry standard KAC world series housing.

- Supports either a 'Frangible Glass' element or a 'Non Frangible Plastic' element
- Terminals can accommodate up to a 2.5mm² solid conductor
- Approved to EN54 part 12
- Rugged design
- ATEX classification to II 1G EEx ia IIC T4

CHQ-DZM (SCI)-IS



A **Dual Zone Module** which is fully compatible with Hochiki's ESP Analogue Addressable protocol and I.S. equipment. The module will allow connection of up to 40 Hochiki I.S. conventional detectors (20 per zone) through a Galvanic Isolator, which are then fully monitored for open and short circuit. Also available as a DIN Rail mountable version. Both models feature an integral Short-Circuit Isolator.



- Single loop address
- Supports two independent zones of Hochiki I.S. conventional detectors
- Both zones fully monitored for short/open-circuit
- Requires an auxiliary 24 Vdc supply
- DIN Rail version available
- Both models feature an integral Short-Circuit Isolator

MTL7787+



A **Zener-Diode Barrier** which is intrinsically safe and zone-powered, for use in conventional fire detection systems for protection within hazardous areas. Certified 'ia' for all zones and 'IIC' for all explosive atmospheres.

- Simple installation onto standard DIN 'top-hat' railing
- Removable colour-coded terminals for easy connection
- Can accommodate conductors up to 2.5mm²
- Supports up to two zones of I.S. products

MTL7728+



A **Zener-Diode Barrier** which is intrinsically safe and zone-powered, for use in conventional fire detection systems for protection within hazardous areas. Certified 'ia' for all zones and 'IIC' for all explosive atmospheres.

- Simple installation onto standard DIN 'top-hat' railing
- Simplified installation and maintenance using plug-in connectors
- Input circuit protected against reverse polarity
- Supports 2 zones of I.S. Detectors

KFDO-CS-EX2.51P ISOLATED BARRIER



This **Isolated Barrier** is used for intrinsic safety applications. It transfers DC signals from fire alarms, smoke alarms, and temperature sensors in hazardous areas. It can also be used to control I/P converters, power solenoids, LEDs, and audible alarms. Reverse polarity protection prevents damage to the isolator caused by faulty wiring. Since this isolator is loop powered, use the technical data to verify that proper voltage is available to the field devices.

- 2-channel isolated barrier
- 24 Vdc supply (Loop powered)
- Current input/output 0 mA - 40 mA
- I/P or transmitter power supply
- Accuracy 1%
- Reverse polarity protection
- Up to SIL2 acc. to IEC 61508

ANCILLARY EQUIPMENT

DH-98-ASA AND DH-98-ASC



A **Duct Probe Housing** associated with analogue ALK-AS, ALK-ASN detectors and conventional SLV-AS detector to be mounted on the outside of an air duct for the purpose of monitoring the air within the duct. (Shown with sensor fitted - not supplied).

- Install quickly and easily
- No screens or filters to clean
- Rugged gray steel back box with clear cover

TC H-B100



A **Hand Held Address Programmer** designed to address the range of Sensors and other addressable devices such as the YBO-BS Base Sounder. Designed to be light, robust and easy to use it operates from a single PP3 size 9v battery which can provide up to 8000 operations. (Shown with sensor fitted - not supplied).

- Lightweight design
- Quick and reliable addressing
- Over 8000 address settings from one battery
- Displays sensor analogue value

16091



A **Hand Held Flame Detector Tester** providing a flame-free method of testing flame detectors

- Simple to use hand held unit with rechargeable NiCd battery pack and charger
- Tests many Flame Sensors Types UV, UV/IR, UV/IR³, IR³, IR², IR
- Range typically 3 and beyond
- Selectable optical output intensity with LED bar graph indication

SMB-1



An **IP66** rated, grey (RAL7035) enclosure designed for use with the Hochiki range of modules. Supplied with a transparent black lid as standard. Used in conjunction with the SMBADAPTOR this enclosure can house any of the PCB assemblies from the Hochiki Smart-Fix module range.

- Quick-release screws
- Polyurethane gasket provides IP66 protection
- Corrosion free, resistant to most alkaline and acid
- Temperature resistance to +70°C, impact resistant, and non-flammable
- 32 knock-outs

SMB-2



An **IP66** rated, grey (RAL7035) enclosure designed for use with the Hochiki range of DIN modules. Supplied with a transparent black lid as standard. The unit is supplied with a DIN Rail section (plus fixings) and will accept up to six Hochiki DIN Rail modules, side-by-side.

- Designed to house up to 6 Hochiki DIN modules
- Quick-release screws
- Polyurethane gasket provides IP66 protection
- Corrosion free, resistant to most alkaline and acid
- Temperature resistance to +70°C, impact resistant, and non-flammable
- 32 knock-outs
- Supplied with DIN Rail and fixings

SMB-3



An **IP66** rated, grey (RAL7035) enclosure designed for use with the Hochiki range of DIN modules. Supplied with a transparent black lid as standard. The unit is supplied with a DIN Rail section (plus fixings) and will accept up to four Hochiki DIN Rail modules, side-by-side.

- Designed to house up to 4 Hochiki DIN modules
- Quick-release screws
- Polyurethane gasket provides IP66 protection
- Corrosion free, resistant to most alkaline and acid
- Temperature resistance to +70°C, impact resistant, and non-flammable
- 20 metric knock-outs
- Supplied with DIN Rail and fixings

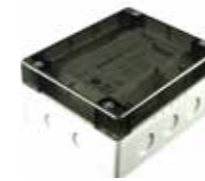
SBB-1



A **Back Box** providing a splash proof and secure fixing which for the Hochiki Analogue and conventional range of sensors and detectors and their associated bases. Provides an aesthetically pleasing solution where surface fixed devices are required. The housing supports four 20mm glanded entries for cabling access.

- 4 glanded cable entry holes (glands not supplied)
- Colour matched
- Approved sensor and base range
- Provides moisture and dust resistant fitting
- Ideal for bulk head fitting
- Marine use (MBB-1)

CHQ-BAC KBOX



The **CHQ-BACKBOX** is designed for installations where the CHQ range of modules - CHQ-DIM(SCI), CHQ-SZM(SCI), CHQ-DZM(SCI), CHQ-DSC(SCI), CHQ-MRC(SCI), CHQ-DRC(SCI) and CHQ-PCM - require mounting within a glanded enclosure.

- Provides glanded cable connections
- Robust design
- Compatible with all CHQ Modules

CHQ-ADAPTOR



The **CHQ-ADAPTOR** is designed to allow the "Smart-Fix" range of CHQ Modules to be housed in existing enclosures originally designed for the first generation CHQ-OEM Modules by modifying the 'footprint' of the unit.

- Allows the PCB component of a CHQ Module to be housed in an enclosure
- Footprint matches older enclosure sizes

SI-CAP



A **Protective Cap** which can be fitted to the YBO-R/SCI isolator base range, the YBO-BS base sounder or the YBO-BSB base sounder beacon - when either of these devices isn't fitted with a sensor.

- Protects wiring terminals on isolator bases and base sounders
- Easy to fit



ANALOGUE

Hochiki's Analogue range incorporates a variety of high performance sensors, modules and ancillary devices to increase the ease of routine maintenance and commissioning. Enhanced System Protocol (ESP) applies Hochiki's high integrity communication link to all products in the range.



CONVENTIONAL

Hochiki's Conventional range covers one of the most extensive product portfolios, and provides solutions for most conventional fire detection applications, as well as security systems due to its wide voltage range (9.5 - 30 Vdc).



INTRINSICALLY SAFE & MARINE

For demanding environments, Hochiki has a range of industrial, intrinsically safe and explosion proof conventional products, as well as a marine product range that encompasses options to match both Analogue and Conventional products ranges.



WIRELESS

Hochiki also caters for hybrid sites with the firewave range which integrates wireless technology into Hochiki's Analogue hardwired system to provide maximum flexibility and meet specific site requirements.



HOCHIKI AUSTRALIA PTY LTD

Address: Block Y, Unit 1 Regents
Park Estate, 391 Park Road,
Regents Park NSW 2143
P +61 2 9738 5566
F +61 2 9743 7133
www.hochikiaustralia.com
E sales@hochikiaustralia.com

DISTRIBUTED BY

For NSW, ACT

Incite fire Pty Ltd
Block Y, Unit 1 Regents Park Estate,
391 Park Road, Regents Park NSW 2143
P 1300 INCITE (1300 462 483)
+61 2 9644 7144
F +61 2 9644 7255
E sales@incitefire.com.au

For VIC, TAS, SA, WA

Incite fire Pty Ltd
Unit 120 - 45 Gilby Road,
Mt Waverley VIC 3149
P +61 3 9544 2211

F +61 3 9544 2212

E salesvic@incitefire.com.au

For QLD, NT

eFIRE Technologies Pty Ltd
25 Jeays Street,
Bowen Hills QLD 4006
P +61 7 3252 5366

F +61 7 3252 4099

E sales@efiretechnologies.com.au