

CHQ MODULES INSTALLATION INSTRUCTIONS



Products Covered: CHQ SZM (Single Zone Monitor), CHQ-DIM2 (Dual Input Module), CHQ-DZM (Dual Zone Module)

Introduction

The CHQ "Smart-Fix" Range of input Modules consists of the following models:

Dual Input Module	Dual Zone Module	Single Zone Monitor
CHQ-DIM2(SCI) CHQ-DIM2/DIN(SCI)	CHQ-DZM(SCI) CHQ-DZM/DIN(SCI)	CHQ-SZM2(SCI) CHQ-SZM2/DIN(SCI)

Note: (SCI) indicates Module incorporates a short-circuit isolator. DIN indicates Module housing is designed to fit standard "Top Hat" DIN Rail.

Components

Standard "Smart-Fix" Modules (including (SCI) versions) are supplied as two individual components (see Fig 1 & 2). DIN versions are supplied as one unit (see Fig 3).

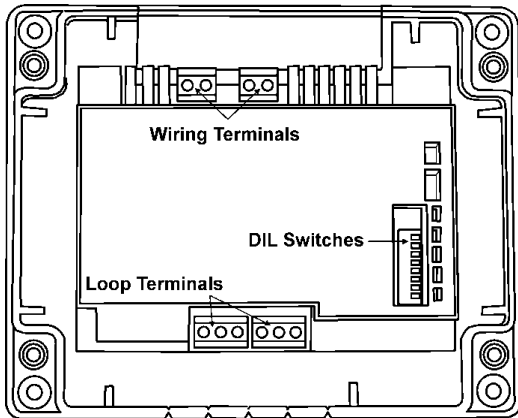


Fig 1

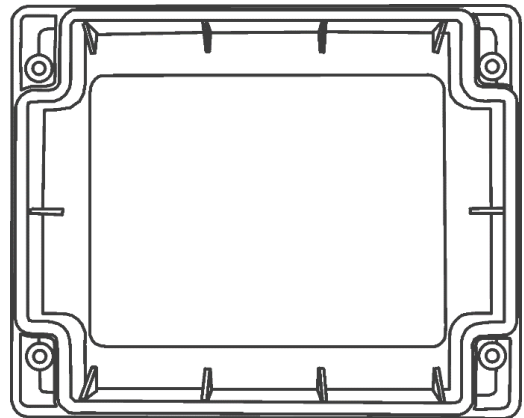


Fig 2

"Smart-Fix" CHQ Modules (Back Plate inc PCB Component)

(Note: configuration of Wiring Terminal blocks differs between models)

CHQ-LID Transparent Module Lid

(Supplied with four screws and acrylic retaining washers)

Setting the Loop Address

- ❑ The analogue address of the Module is set using the first 7 switches of the 8-bit DIL switch, which in the case of the standard CHQ is located through the cut-out section on the top of the PCB cover. On the DIN version this switch is located on the edge of the PCB behind the clear door (see Fig 3).
- ❑ The switches are numbered 1 to 8 (left to right):

CHQ MODULE	SWITCH UP	ON	
	SWITCH DOWN	OFF	
DIN MODULE	SWITCH UP	OFF	
	SWITCH DOWN	ON	

- ❑ The switches should be set using a small-tipped screwdriver or similar.
- ❑ Refer to the Address Chart (Fig 9) on page 4 for a quick reference on addresses.

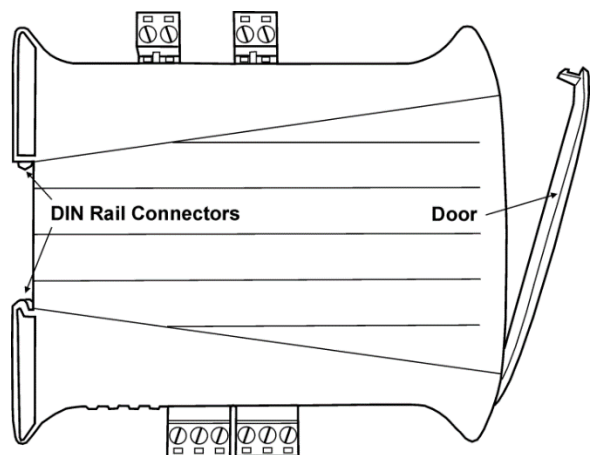


Fig 3

DIN Rail Mountable CHQ Module

(continued on page 4)

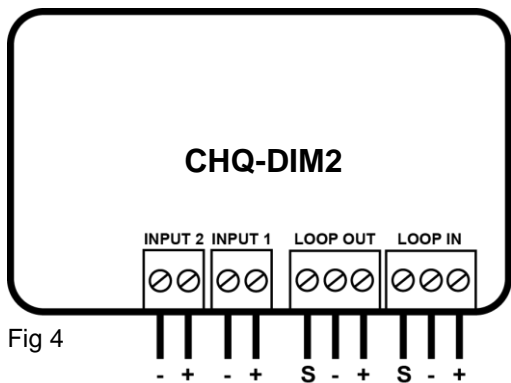


Fig 4

LOOP CONNECTIONS: S = Cable Screen (if required), - = Loop Negative (-ve), + = Loop Positive (+ve)

CHQ-DIM2 - DUAL INPUT MONITOR

This device is a loop-powered module designed to interface to a variety of inputs, such as, door contacts, sprinkler flow/door switches and plant equipment fault contacts, this module is particularly suited to applications where a fast response is required to the input change.

Setting Contact Monitoring (Compatibility mode)

Both volt free input contacts can be configured to be either N/O or N/C, by setting the 2-bit DIL switch

CHQ MODULE	SWITCH 1 UP	I/P 1 Normally Closed (N/C)
	SWITCH 1 DOWN	I/P 1 Normally Open (N/O)
	SWITCH 2 UP	I/P 2 Normally Closed (N/C)
	SWITCH 2 DOWN	I/P 2 Normally Open (N/O)
DIN MODULE	SWITCH 1 UP	1I/P 1 Normally Open (N/O)
	SWITCH 1 DOWN	1I/P 1 Normally Closed (N/O)
	SWITCH 2 UP	1I/P 2 Normally Open (N/O)
	SWITCH 2 DOWN	1I/P 2 Normally Closed (N/O)

Setting EOL Monitoring Option (Enhanced mode)

Select the required EOL monitoring option using the 2-bit DIL switch. NOTE: EOL monitoring capability on this device can only be enabled if the panel supports it.

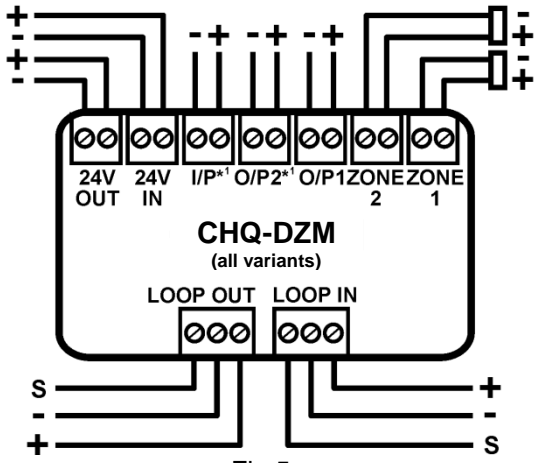
CHQ MODULE	SWITCH 1 UP	I/P 1 Normally Closed (N/C)
	SWITCH 1 DOWN	I/P 1 Normally Open (N/O)
	SWITCH 2 UP	I/P 2 Normally Closed (N/C)
	SWITCH 2 DOWN	I/P 2 Normally Open (N/O)
DIN MODULE	SWITCH 1 UP	1I/P 1 Normally Open (N/O)
	SWITCH 1 DOWN	1I/P 1 Normally Closed (N/O)
	SWITCH 2 UP	1I/P 2 Normally Open (N/O)
	SWITCH 2 DOWN	1I/P 2 Normally Closed (N/O)

Table Showing example of single input operation

	Input State			
	Compatibility mode (Mode 0) Input Monitoring Disabled		Enhanced mode (Mode 1) Input Monitoring Enabled	
Resistance Threshold	Normally Open	Normally Closed	Normal Polarity	Reversed Polarity
<50 ohms (short cct)	Active	Normal	Short cct fault	Short cct fault
200 - 3 k ohms (470 ohms)*	Normal	Active	Active	Normal*
5 k - 15 k ohms (10 k ohms)*	Normal	Active	Normal*	Active
>100 k ohms (open cct)	Normal	Active	Open cct fault	Open cc fault

*If required the EOL resistor should be appropriate to the selected polarity setting when in enhanced mode (i.e. the normal state resistance threshold)

Order codes	CHQ-DIM2(SCI) / CHQ-DIM2/DIN(SCI)*1		
Transmission method	Digital communication using ESP		
Operating voltage	17 - 41 VDC		
Quiescent current	280 μ A	Current in short-circuit	8 mA
Current consumption whilst polling	22 mA \pm 20 %	Maximum short-circuit current (Loop)	1 A
Current consumption with inputs active	4.3 mA (Both active)*2	Input line resistance	ON threshold <50 Ω . OFF threshold >100 K Ω
Weight (g) & Dimensions (mm)	CHQ-DIM2(SCI)	327	L157 x W127 x D35 (Module plus Lid) D=79 (CHQ Module plus Lid plus CHQ-BACKBOX) (add 235 to module weight when using CHQ-BACKBOX) L108 x W119 X D24 (CHQ DIN Module)
	CHQ-DIM2/DIN(SCI)	113	
Colour and enclosure material	CHQ Module & CHQ-BACKBOX White ABS, DIN Module Green ABS		
*1 Fire alarm control panel compatibility required for these products.		*2 Note: - Add 85 μ A per input for normally closed contact monitoring See AP0127 for short-circuit isolator specification.	



CHQ-DZM - DUAL ZONE MONITOR

This device is an externally powered module designed to allow up to 60 conventional detectors (30 per zone) to be interfaced to Hochiki's ESP analogue addressable system. The unit features three End Of Line (EOL) monitoring options (see page 3 for further details).

Setting EOL Monitoring Option

Select the required EOL monitoring option using the 2-bit DIL switch.

CHQ MODULE	SWITCH 1 DOWN	ZENER
	SWITCH 2 DOWN	
DIN MODULE	SWITCH 1 UP	ACTIVE/RESISTIVE
	SWITCH 2 DOWN	
DIN MODULE	SWITCH 1 UP	ZENER
	SWITCH 2 UP	
DIN MODULE	SWITCH 1 DOWN	ACTIVE/RESISTIVE
	SWITCH 2 UP	

Fig 5

LOOP CONNECTIONS: S = Cable Screen (if required), - = Loop Negative (-ve), + = Loop Positive (+ve)

Order codes	CHQ-DZM(SCI) / CHQ-DZM/DIN(SCI)	Transmission method	Digital communication using ESP
Operating voltage	17 - 41 VDC		
Low Power Mode (typ)	110 μ A	Resistance on Zone (max)	50 Ω
Quiescent current (typ)	330 μ A	Capacitance on Zone (max)	0.3 μ F
Current consumption (external)	(Quiescent) 2mA, (Alarm) 70mA (both zones in fire)		
Current in short-circuit	8 mA	Maximum short-circuit current (Loop)	1 A
Output rating	24 VDC 8.5 mA		
Detectors per zone	DCA, DFB, DFE – No limit, SLG, SLK, SLR, SIF, SIH, SIJ, DCC, DCD, DFJ, DFJ – 30 max, SPB-ET, SPC-ET, SRA-ET- Only one and no other detectors, HF – 24 – Only one and no other detectors, DRD-E – 15 max, Conventional Call Points - limit		
Weights (g) & Dimensions (mm)	CHQ-DZM(SCI)	350	L=157 x W=127 x D=35 (Module plus Lid) D=79 (CHQ Module plus Lid plus CHQ-BACKBOX)
	CHQ-DZM/DIN(SCI)	130	(add 235 to module weight when using CHQ-BACKBOX) L108 x W119 x D24 (DIN Module)
Colour and enclosure material	CHQ Module & CHQ-BACKBOX White ABS, DIN Module Green ABS		
*1 Fire alarm control panel compatibility required for these options.		See AP0127 for short-circuit isolator specifications.	

Standard EOL Options for CHQ-DZM

EOL Option Type	Part	Description
OPTION 1 Zener End of line device (Zone)	TE-RH-E Hochiki Part No 2-1-1-016	(Iz=1-mA, T=30ms, Vz=22.7 to 24.3 V) L terminal connects to +Zone C Terminal connects to -Zone
OPTION 2 Active End Of Line Module (Zone) Active End Of Line <i>in conjunction with</i> Capacitor (Zone)	LCMU (6K8) Hochiki Part No 1270070-00 (SUPPLIED SEPARATELY) 47 μ F Capacitor Hochiki Part No (2-2-7-031)	Active EOL - Line Continuity Monitoring Unit for Schottky bases (See Fig 6) Pink lead connects to +Zone Black lead connects to -Zone 47 μ F \pm 20% 35 V Fitted directly into Zone terminals (see Fig 6)
OPTION 3 Resistive EOL (Zone)	6K8 resistor (2-2-5-1015)	6K8 \pm 5% 0.4 W
Monitored input EOL	10 K Ω resistor (2-2-5-806)	10 K Ω \pm 5% 0.4W

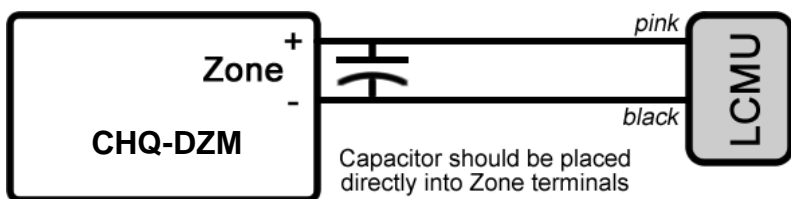
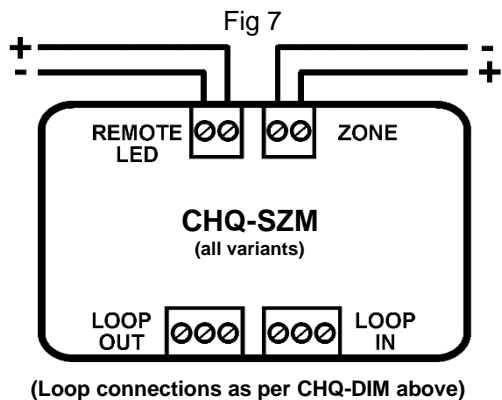


Fig 6



CHQ-SZM SINGLE ZONE MONITOR is a loop-powered module that provides a single fully monitored input for the connection of up to six Hochiki conventional smoke or heat detectors, or any number of conventional call points, the unit also contains an output for remote fire indication.

Note: The end of line device (EOL) is supplied with the unit – **do NOT discard in error!** The EOL device **MUST** be fitted at the last detector on the zone, note the polarity.

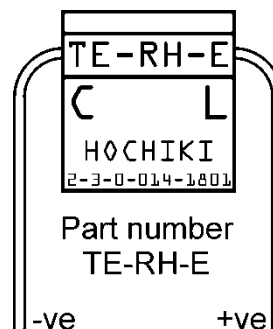


Fig 8

Order codes	CHQ-SZM(SCI) / CHQ-SZM/M(SCI) / CHQ-SZM/DIN(SCI) *1		
Transmission method	Digital communication using ESP		
Loop:-Operating voltage	17 - 41 VDC		
Quiescent current	260 μ A		
Current consumption whilst polling	22 mA \pm 20 %		
Current in short-circuit	8 mA		
Maximum short-circuit current (Loop)	1 A		
E.O.L device	TE-RH-E (polarity conscious)		
Zone voltage	15.3 V - 17.1 V		
Zone resistance	50 Ω (Max)		
Zone capacitance	0.3 μ F (Max)		
Detectors per zone	DCA, DFB, DFE – No limit, SLG, SLK, SLR, SIF, SIH, SIJ, DCC, DCD, DFJ – 6 max SPB-ET or SRA-ET– Only one and no other detectors, HF-24 – Only one and no other detectors, DRD-E – 3 max, Conventional Call Points – No limit		
Weight (g) & Dimensions (mm)	CHQ-SZM(SCI)	328	L157 x W127 x D35 (Module plus Lid)
	CHQ-SZM/M(SCI)		D79 (Module plus Lid plus CHQ-BACKBOX)
	CHQ-SZM/DIN(SCI)	114	(add 235 to module weight when using CHQ-BACKBOX) L108 x W119 x D24 (CHQ DIN Module)
Colour and enclosure material	CHQ Module & CHQ-BACKBOX White ABS, DIN Module Green ABS		
* Fire alarm control panel compatibility required for these products. See AP0127 for short-circuit isolator specifications.			

This module does not support any line continuity options; therefore, if Manual Call Points are to be interfaced then these should be connected first.

Installation – "Smart-Fix" Version

Set analogue address before installation (see page 1). The fixing surface should be dry and stable.

- ❑ Hold the back plate up against the fixing surface and mark the position of the four corner fixing holes.
- ❑ Determine which cut-out sections along the top and bottom edges of the module require removing to accommodate the cables being used.
- ❑ Remove cut-outs by scoring with a sharp knife before breaking off with pliers or snips.
- ❑ Mount the back plate using appropriate fixings (not supplied) for the fixing surface.
- ❑ Terminate and connect field wiring as per the wiring diagrams on pages 2 & 3 (and the terminal block indications on the product label).

The transparent lid (CHQ-LID) is supplied with four screws and eight retaining washers.

- ❑ Push the screws through one of the retaining washers and then through the holes in the lid from front to back, pushing another retaining washer onto the end inside the lid.
- ❑ Screw the lid onto the back plate; do not over tighten the screws as this could damage the unit.

Note, a white plastic version of the lid is available (sold separately – CHQ-LID(WHT)).

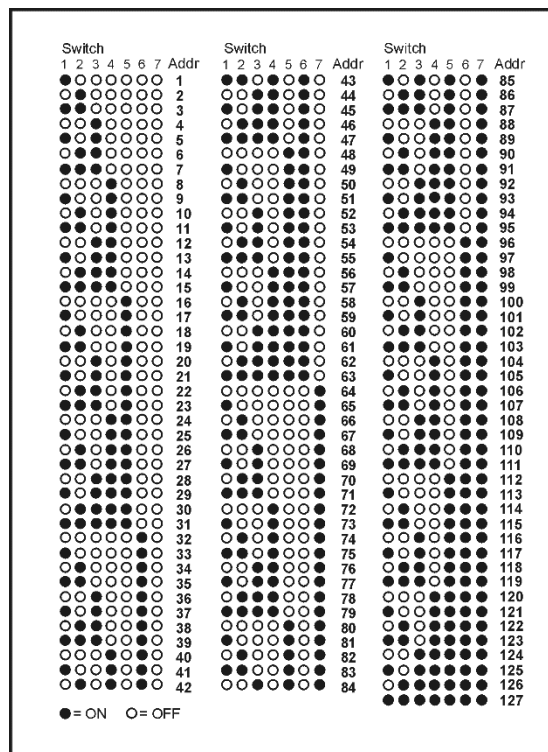


Fig 9

Installation with Back Box

For CHQ-DIM2 or CHQ-SZM installations requiring glanded cables, a module back box (CHQ-BACKBOX) is available (sold separately). This is mounted on the fixing surface; the CHQ Module is then fitted to the top of the back box and the CHQ-LID is added creating a sealed enclosure. For further details refer to the CHQ-BACKBOX Instructions (2-3-0-800). For CHQ-DZM installations utilising heavy-duty cabling (for example, 1.5mm² solid conductor) the use of the SMB-1 Box with the SMB-ADAPTOR plate and CHQ-ADAPTOR is recommended. For further details refer to the SMB-ADAPTOR Instructions (2-3-0-1502). Ensure any glands used (not supplied) conform to IP67, if such ingress protection is required.

Installation – DIN Version


Set analogue address before installation (see page 1) and write loop address in space provided on door label.

- ❑ DIN modules should be mounted in a suitable enclosure in conjunction with an NS 35 mounting rail with the loop connections at the bottom of the unit. Hochiki recommends the SMB-2 and SMB-3 Boxes designed specifically for this purpose.
- ❑ Terminate and connect field wiring as per the wiring diagrams on pages 2 & 3 (and the terminal block indications on the product label).
- ❑ Suitable anti-static precautions must be taken when handling these products.

Status LEDs

Refer to the table below for Status LED indications:

CHQ-DIM2 (all variants)	Dual Input Module	Green LED flashes each time the unit is polled by the fire alarm control panel and is continuously illuminated when either input is active (CHQ-DIM only). Amber LED is continually illuminated when unit detects short-circuit fault.
CHQ-SZM (all variants)	Single Zone Monitor	
CHQ-DZM (all variants)	Dual Zone Monitor	

 Protocol specified in TI/006	CHQ-DIM2(SCI)	0832-CPR-F0934/15 ¹	15	EN54-17 Short Circuit Isolators EN54-18 Input/Output Modules
	CHQ-DIM2(HFP)-SCI	0832-CPR-F0935/15 ¹	09	
	CHQ-DZM(SCI)	0832-CPD-1657 ¹	15	
	CHQ-DZM(HFP)-SCI	0832-CPD-1658 ¹	10	
	CHQ-SZM(SCI)	0832-CPD-1094 ¹	11	
	CHQ-SZM(HFP)-SCI	0832-CPD-1095 ¹	11	

¹ For Declarations of Performance visit www.hochikieurope.com



Hochiki Europe (UK) Ltd
 Grosvenor Road, Gillingham Business Park,
 Gillingham, Kent, ME8 0SA, England
 Telephone: +44(0)1634 260133
 Facsimile: +44(0)1634 260132
 Email: sales@hochikieurope.com
 Web: www.hochikieurope.com

Hochiki Europe (UK) Ltd. reserves the right to alter the specification of its products from time to time without notice. Although every effort has been made to ensure the accuracy of the information contained within this document it is not warranted or represented by Hochiki Europe (UK) Ltd. to be a complete and up-to-date description. Please check our web site for the latest version of this document.