



A new standard in water leak detection

Hochiki Australia, world leaders in fire detection manufacturing introduces a brand new standard in water leak detection to the Australian market, **LEAKalarm**, an innovative new fully monitored alarm and detection system providing protection from the greatest risk to buildings and managed facilities.





Statistics show that the most likely cause of insurance claims in blocks of flats, hotels, retail premises and commercial buildings is water damage.

Leading the way in water detection technology is the new **LEAKalarm** system from Hochiki. This addressable solution is designed to be infinitely reliable, with many of its features also found in systems designed to ensure life safety.

LEAKalarm systems are designed to protect areas where water ingress could seriously damage electrical, communication and computer networks. It continuously monitors for water leaks around the clock, and has the facility for up to 72-hours on standby in the event of a power failure.

Commercial insurers are recommending risk assessment of potential water damage, as well as the installation of water leak detection systems to ensure full insurance cover and safety.

LEAKalarm is based upon world-proven life safety technology providing the same reliability and integrity as approved fire detection systems. This means there is virtually no risk of failure, downtime and a reduced likelihood of false alarms.

-  Fully customisable & configurable
-  Linear & Point detection
-  System integrity & reliability
-  Easy to install



LAAP-S-1

LEAKalarm Addressable Leak Detection Panel



LA-WLDM

LEAKalarm Addressable Interface Module - Two Detection Zones



LAW-10

LEAKalarm Wire 10m (Also available in 5m)



LA-WLDP

LEAKalarm Leak Detection Probe - 1m Cable



LA-WLDM-EOL

LEAKalarm End of Line Device



HSVS

Water Leakage Alarm Activated Voice Sounder



CHQ-ARI

Intelligent Loop Powered Remote Indicator

ACCESSORIES

| Product Code | Description |
|--------------|--|
| LA-WLDP-H | Probe Height Adjustment Kit |
| LA-WLDP-DT | Probe Drip Tray Mounting Kit |
| LA-WLDP-C | Protection Cage for LEAKalarm Probe |
| LA-FX | LEAKalarm Cable Fixing Clips (bag of 100) |
| LA-FXSA | Fixing Clips for Leader & LA Cable (pack of 100) |
| LA-ZB1 | Zone Breaker / Extension Lead 1m |
| LA-ZB3 | Zone Breaker / Extension Lead 3m |
| LA-ZB10 | Zone Breaker / Extension Lead 10m |
| HSCP-Bezel | Bezel for Semi-Flushing HSCP Panel to Wall |

PANELS

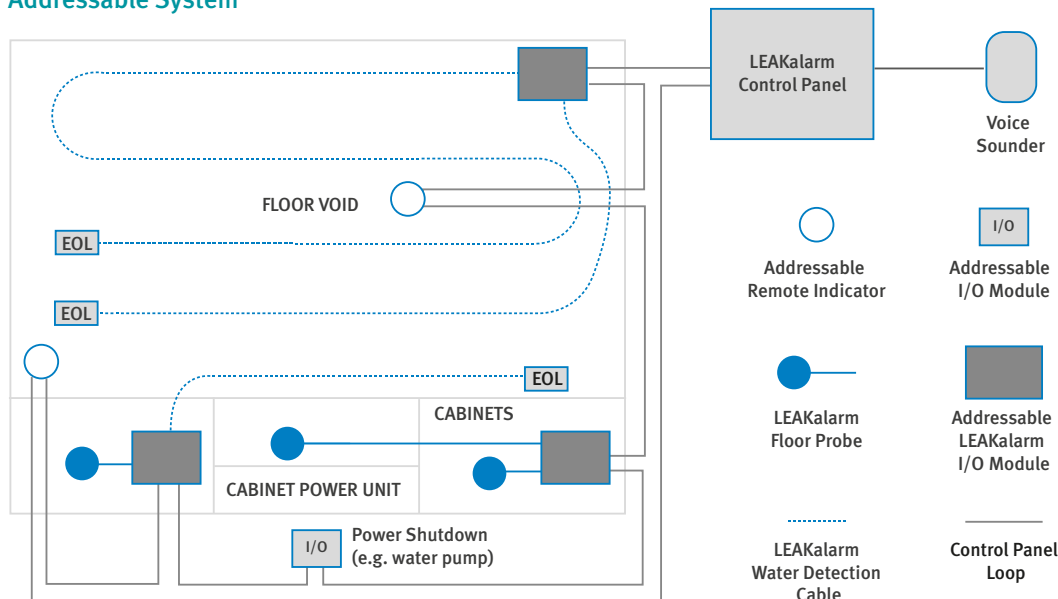
| Product Code | Description |
|--------------|--|
| LAAP-S-1 | Addressable Leak Detection Panel Single Loop |
| LAAP-S-2 | Addressable Leak Detection Panel 2 Loop |
| LAAP-SPR | Addressable Leak Detection Repeater Panels |

ALARM & INDICATING EQUIPMENT

| Product Code | Description |
|--------------|--|
| HY-WLSMC | Short Message Communicator via GPRS |
| HSSB1 | Sounder / Beacon (White Sounder Blue Beacon) |

TYPICAL SYSTEM CONFIGURATION

Addressable System



For further information visit www.hochikiaustralia.com

Hochiki Australia Pty Ltd reserves the right to alter the specification of its products from time to time without notice. Although every effort has been made to ensure the accuracy of the information contained in this document it is not warranted or represented by Hochiki Australia Pty Ltd to be a complete and up-to-date description.

Hochiki Australia Pty Ltd T: 02 9738 5566 E: sales@hochikiaustralia.com
 INCITE FIRE T: 02 9644 7144 E: sales@incitefire.com.au
 INCITE FIRE T: 03 9544 2211 E: salesvic@incitefire.com.au
 INCITE FIRE T: 07 3252 5366 E: salesqld@incitefire.com.au