

CONVENTIONAL AUDIO/VISUAL - PART 1



CSB-E

Model CSB-E is a conventional Base Sounder designed for use with the CDX Range of conventional smoke and heat detectors.

- ▶ Robust design
- ▶ Low current consumption
- ▶ Easy to install
- ▶ Maximum 93dB(A) @ 1 metre (Tone 1)
- ▶ 32 user-selectable tones and 3 user-selectable volumes
- ▶ Lockable cap available



CSBB-E

Model CSBB-E is a conventional Base Sounder Beacon which has been designed to complement the CDX range of detectors.

- ▶ Robust design
- ▶ Low current consumption
- ▶ Easy to install
- ▶ Maximum 93dB(A) @ 1 metre (Tone 1)
- ▶ 32 user-selectable tones and 3 user-selectable volumes
- ▶ Utilises high intensity LEDs
- ▶ Lockable cap available



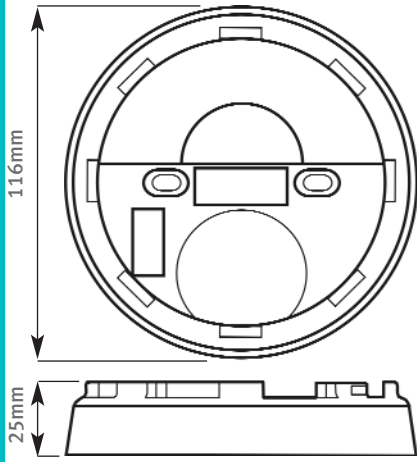
CWSB-E

Model CWSB-E is a conventional Wall Sounder Beacon with improved electronic design which enables very low current consumption whilst providing a range of tones and volumes selectable from each unit. Features integral beacon.

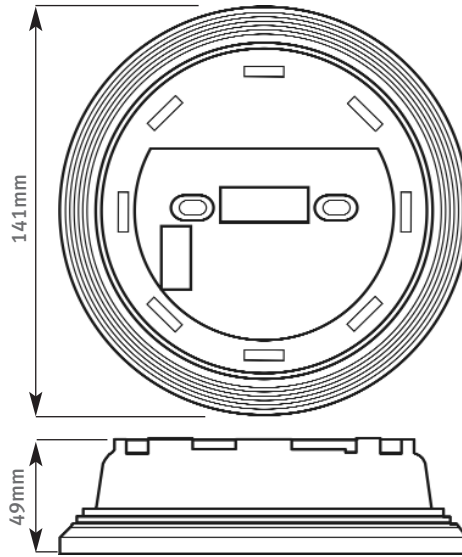
- ▶ Robust design
- ▶ Low current consumption
- ▶ Easy to install
- ▶ Maximum 109dB(A) @ 1 metre (Tone 15)
- ▶ 32 user-selectable tones
- ▶ Utilises high intensity LEDs
- ▶ Also available in white



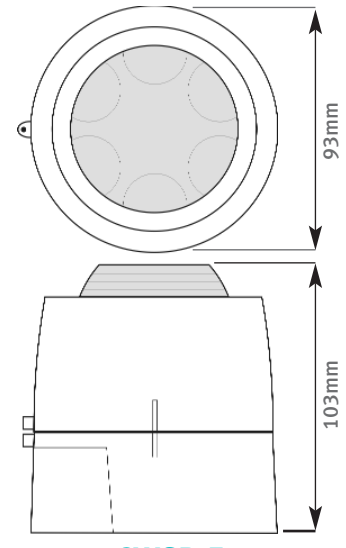
DIMENSIONS



CSB-E



CSBB-E



CWSB-E

WIRING

	1. (-) CONT
	2. (-) CONT
	3. (-) TONE
	4. (-) TONE
	5. (+) POS
	6. (+) POS

For sweep, warble or pips, wire negative to terminals 3 and/or 4 (-) TONE.

For continuous tone wire negative to 1 and/or 2 (-) CONT.

(Note that the (-) CONT tone will override the (-) TONE tone).

For a complete list of tones and their corresponding DIL switch settings please see Application Note AP115 "CDX SOUNDERS TONE TABLE" available from our web site.

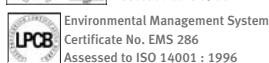
SPECIFICATIONS

Ordering Codes	CSB-E CSB-E(WHT) CS/CAP (Lockable Cap)
Sound Level	Low Med High
Sound Output	87dBa 90dBa 93dBa @ 1 metre (Tone 1)
Current Consumption	6mA 8mA 10mA @ 24Vdc
Voltage Range	18 - 30Vdc
Number of Tones	32
Operating Frequency	440Hz to 2900Hz
IP Rating	IP21C
Temperature Range	-20°C to +70°C
Weight (per unit packed)	110g
Colour	Ivory or White

Ordering Codes	CSBB-E CSBB-E(WHT) CS/CAP (Lockable Cap)
Sound Level:	Low Med High
Sound Output	87dBa 90dBa 93dBa @ 1 metre
Current Consumption	8.0mA 9.3mA 11.5mA @ 24Vdc
Voltage Range	18 - 30Vdc
Number of Tones	32
Operating Frequency	440Hz to 2900Hz
IP Rating	IP21C
Temperature Range	-20°C to +70°C
Weight (per unit packed)	270g
Colour	Ivory or White

Ordering Codes	CWSB-E CWSB-E(WHT)
Operating Voltage	18 - 35Vdc
Operating Current	11 - 37 mA (±20%)
Operating Temperature Range	-20°C to +70°C
Maximum Sound Output	109dB(A) at 1 metre (at 24Vdc)
IP Rating	IP43
Weight	233g
Colour	Red or White

HOCHIKI EUROPE (UK) LIMITED
Grosvenor Road, Gillingham Business Park,
Gillingham, Kent, England ME8 0SA
Telephone: +44 (0)1634 260133
Facsimile: +44 (0)1634 260132
e-mail (UK): sales@hochikieurope.com
e-mail (Non UK): export@hochikieurope.com
www.hochikieurope.com



Hochiki Europe (UK) Ltd. reserves the right to alter the specification of its products from time to time without notice. Although every effort has been made to ensure the accuracy of the information contained in this document it is not warranted or represented by Hochiki Europe (UK) Ltd. to be a complete and up-to-date description.

PART No. 9-5-0-408/ISS2/FEB10